



SQUARES 111x2 trimless 230V recessed

SQUARES 111x2 trimless 230V wpuszczany

Category: recessed

Power 2x 50W (2x LED 15W)

Light source: ES111, 230V

Lampholder: GU10

Dimming: Phase-Control

Light source not included

Transformer not required.

The Quick Shipment offer includes selected product variants marked with the "QS" symbol next to the catalogue number.

AVAILABLE FINISHES:

MIX GLOSS STRUCTURE ADDITIONAL



SQUARES 111x2 trimless 230V Phase-Control
recessed

37512-0000-U8-PH-xx

-xx finish option code from table below

AVAILABLE FINISHES:

MIX

mix -06

STRUCTURE

black structure -12 white structure -13

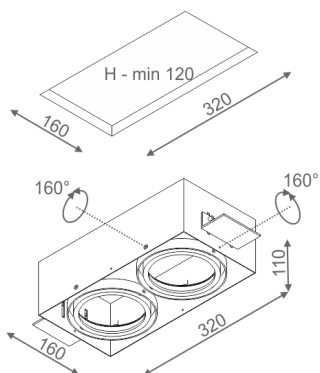
gold structure -19 black-white -46

ADDITIONAL

grey -16 copper -17

GLOSS

black gloss -22 white gloss -23



Tolerance for dimensions ± 1 mm

Warranty period 2 years