



SQUARES 111x1 230V surface

SQUARES 111x1 230V natynkowy

Category: surface

Power 50W (LED 15W)

Light source: ES111, 230V

Lampholder: GU10

Dimming: Phase-Control

Light source not included

Transformer not required.

AVAILABLE FINISHES:

MATT MIX



SQUARES 111x1 230V Phase-Control surface

44711-0000-U8-PH-xx

-xx finish option code from table below

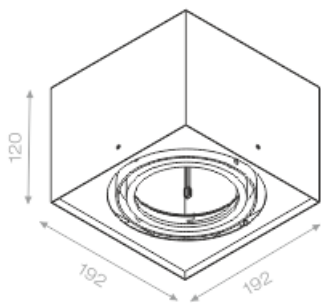
AVAILABLE FINISHES:

MATT

alu matt	-01	black matt	-02
white matt	-03	anthracite structure	-18
gold structure	-19		

MIX

mix	-06		
-----	-----	--	--



Tolerance for dimensions

Warranty period 2 years