



## RING 111 230V recessed

### RING 111 230V wpuszczany

Category: recessed

Power 35W (LED 12,5W)

Light source: ES111, 230V

Lampholder: GU10

Dimming: Phase-Control

Light source not included

Transformer not required.

#### AVAILABLE FINISHES:

MATT MIX GLOSS



RING 111 230V Phase-Control recessed

37162-0000-U8-PH-xx

-xx finish option code from table below

#### AVAILABLE FINISHES:

##### MATT

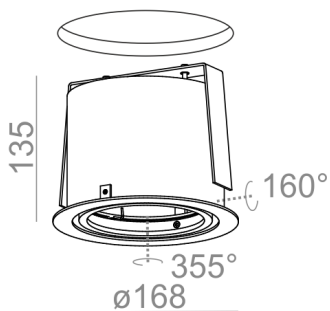
alu matt	-01	black matt	-02
white matt	-03	anthracite structure	-18
gold structure	-19		

##### MIX

mix	-06		
-----	-----	--	--

##### GLOSS

black gloss	-22	white gloss	-23
-------------	-----	-------------	-----



Tolerance for dimensions

Warranty period 2 years