



## RAFTER points LED section suspended

### RAFTER points LED section zwieszany

Category: suspended

Power dependent on version

Light source: LED, integrated

Dimming options: Phase-Control, DALI, SwitchDIM, AQsmart

Integrated light source

Gear included.

#### AVAILABLE FINISHES:

MATT GLOSS



#### AVAILABLE VERSIONS:

L927	Low power - Low power	2700K	CRI>90
M927	Medium power - Medium power	2700K	CRI>90
L930	Low power - Low power	3000K	CRI>90
M930	Medium power - Medium power	3000K	CRI>90
L940	Low power - Low power	4000K	CRI>90
M940	Medium power - Medium power	4000K	CRI>90

#### AVAILABLE LUMINAIRE LENGTH:

54 cm
94 cm
133 cm
173 cm

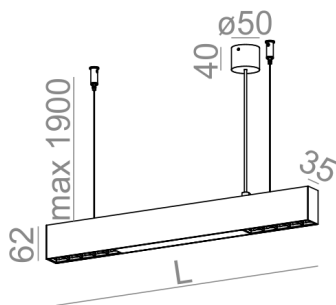
#### AVAILABLE FINISHES:

##### MATT

alu matt	-01	black matt	-02
white matt	-03	anthracite structure	-18
gold structure	-19		

##### GLOSS

black gloss	-22	white gloss	-23
-------------	-----	-------------	-----



Tolerance for dimensions

Warranty period 5 years