

## PETPOT next mini LED track

### PETPOT next mini LED track

Category: spotlights

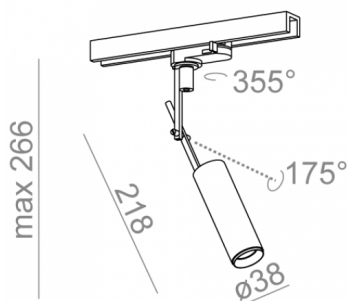
Light source: LED, integrated

Gear included.

Mix colour -06 - on white and black luminaires the colour of the decorative ring can be changed to gold, mix or gray colour from AQForm's palette.

#### AVAILABLE FINISHES:

MIX STRUCTURE ADDITIONAL



Tolerance for dimensions ± 1mm

Warranty period 5 years

#### AVAILABLE VERSIONS:

M927	Medium power - Medium power	2700K	CRI>90
M930	Medium power - Medium power	3000K	CRI>90
M940	Medium power - Medium power	4000K	CRI>90

#### AVAILABLE FINISHES:

##### MIX

mix	-06
-----	-----

##### STRUCTURE

black structure	-12	white structure	-13
gold structure	-19	black-white	-46

##### ADDITIONAL

grey	-16	copper	-17
------	-----	--------	-----