



GLOB AQLED 230V track

GLOB AQLED 230V track

Category: spotlights

Power 8.7W

Light source: LED, integrated

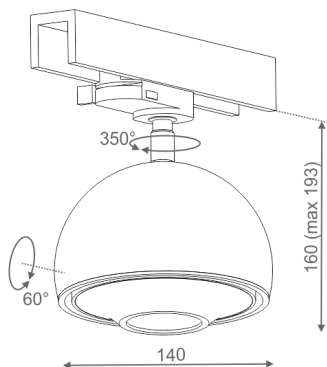
Dimming: Phase-Control

Integrated light source

Gear not required.

AVAILABLE FINISHES:

MATT MIX GLOSS



Tolerance for dimensions

Warranty period 5 years

AVAILABLE VERSIONS:

M927	Medium power - Medium power	2700K	CRI>90
M930	Medium power - Medium power	3000K	CRI>90
M940	Medium power - Medium power	4000K	CRI>90

AVAILABLE FINISHES:

MATT

alu matt	-01	black matt	-02
white matt	-03	anthracite structure	-18
gold structure	-19		

MIX

mix	-06		
-----	-----	--	--

GLOSS

black gloss	-22	white gloss	-23
-------------	-----	-------------	-----