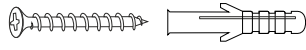


#### REQUIRED

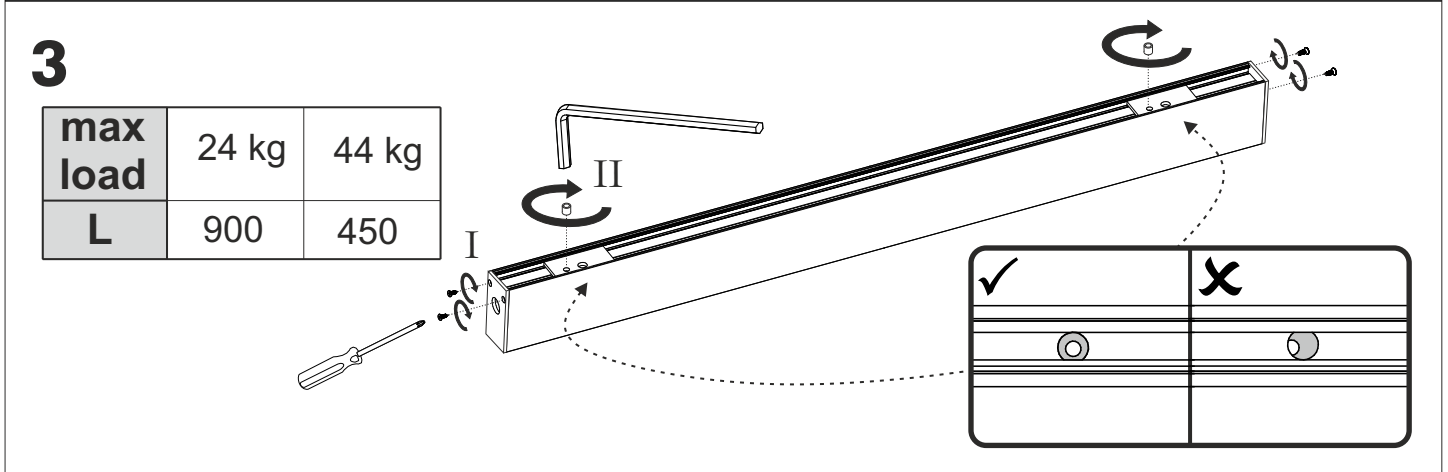
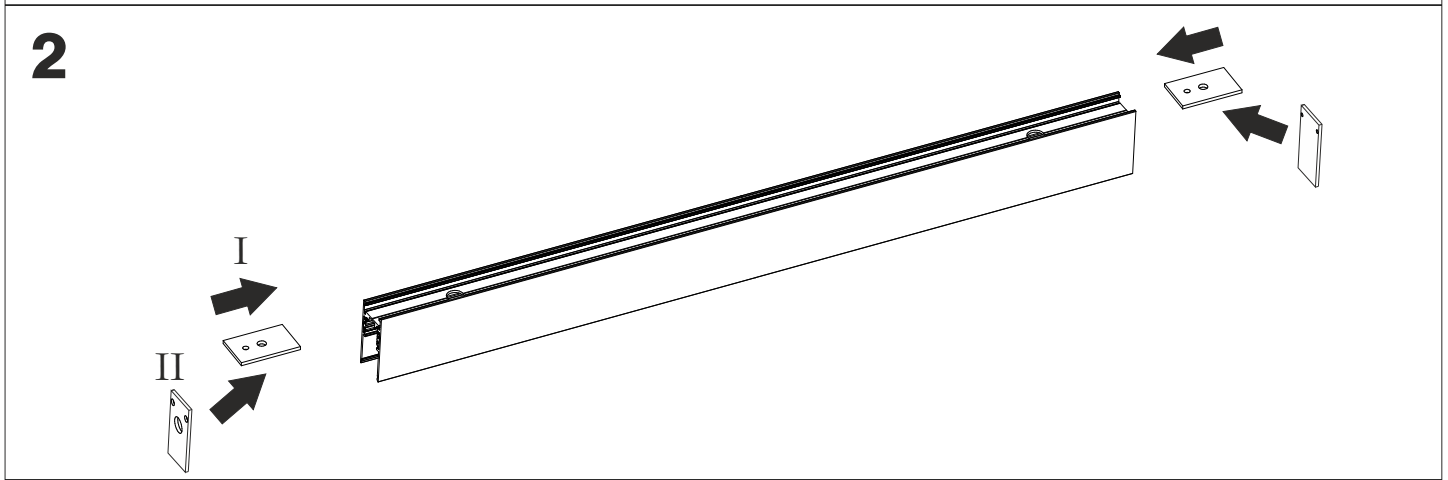
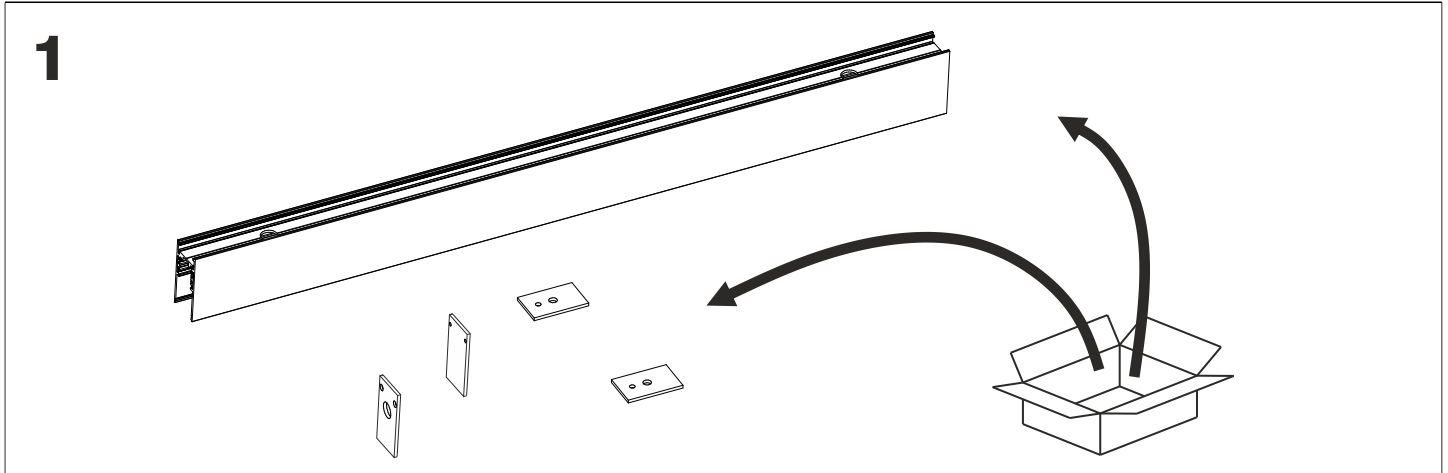
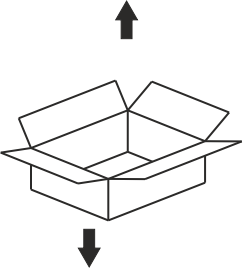
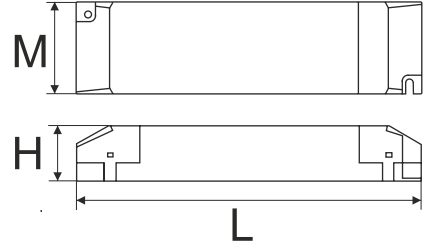


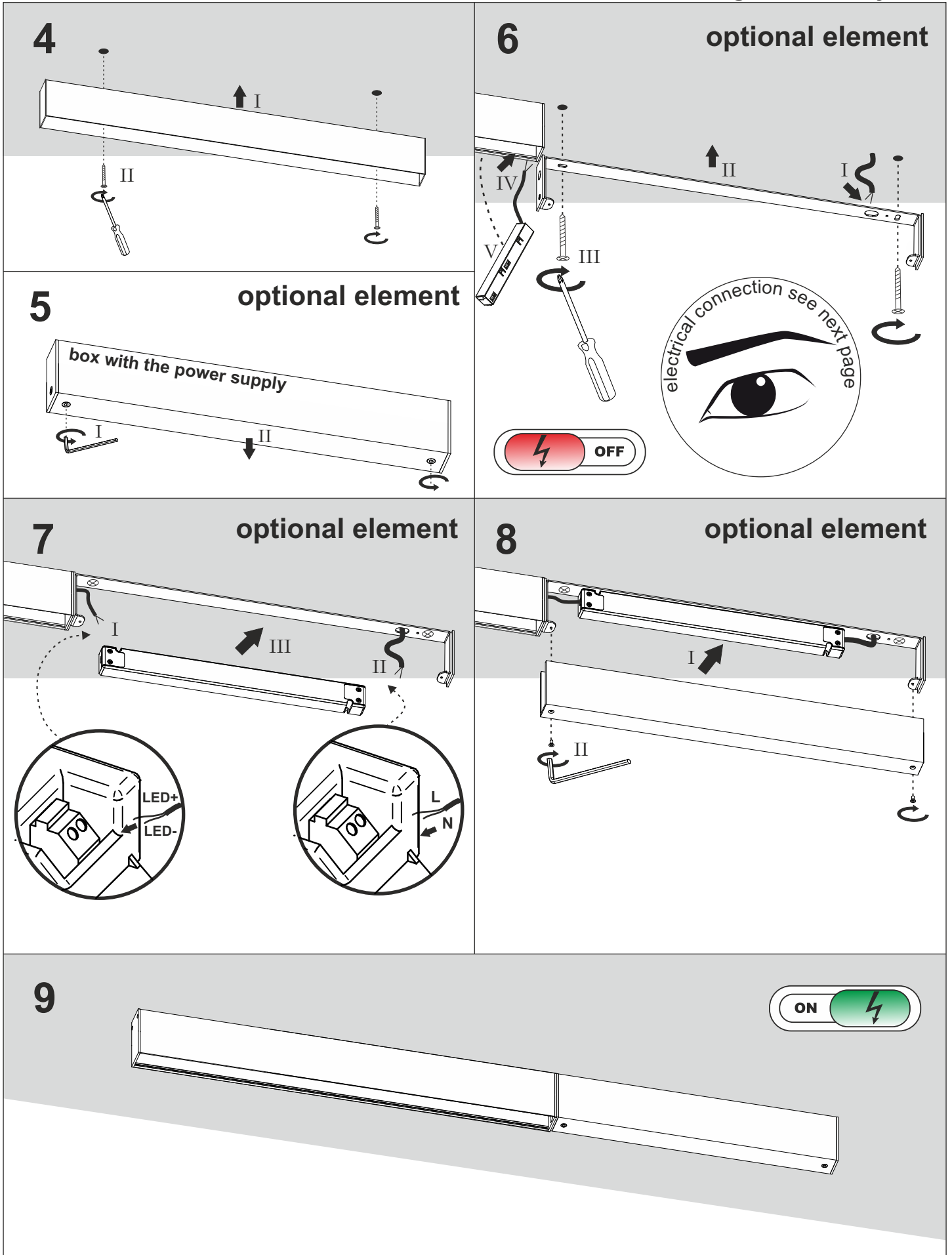
#### power supply dimensions

DRIVER	60W	100W	200W
L [mm]	163	300	390
M [mm]	43	30	30
H [mm]	32	17	23

#### straight microtrack line requirement

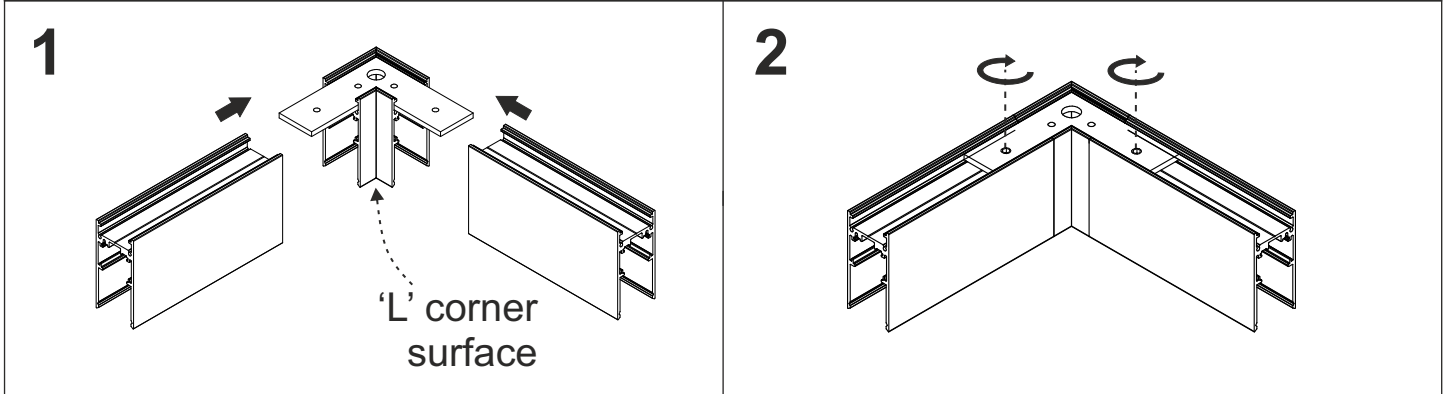
screw	end cup
power supply	mounting element



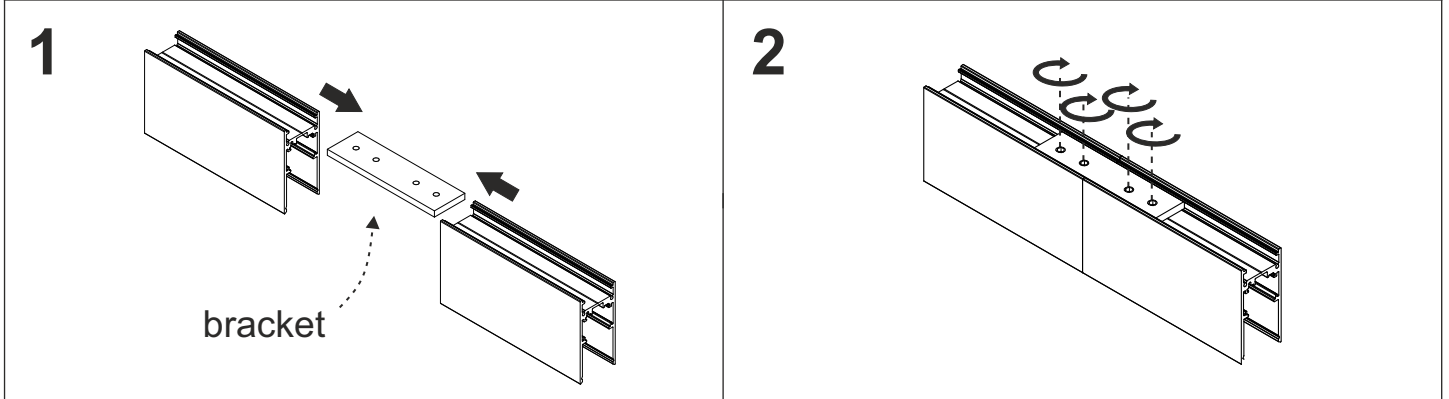


mechanical connection

„L” - connection

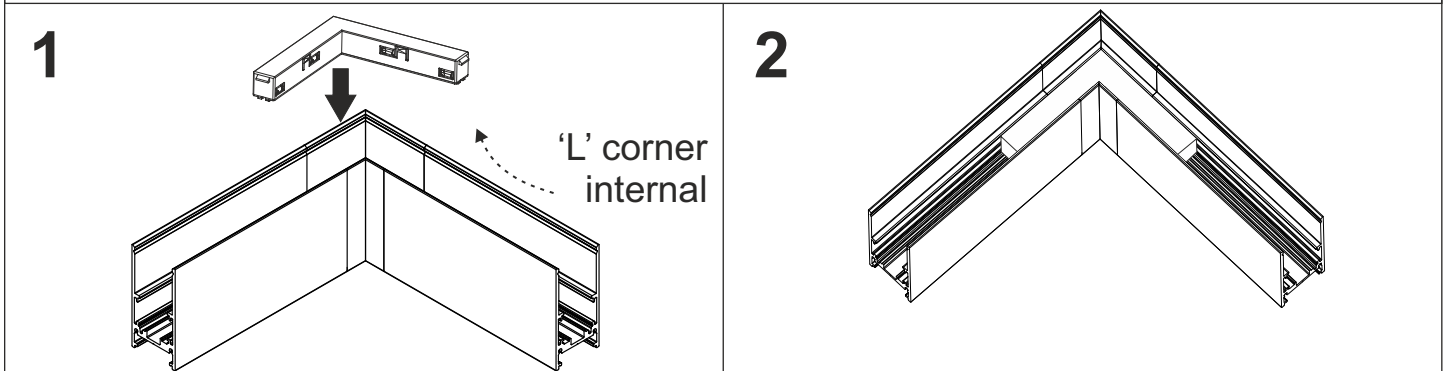


straight - connection

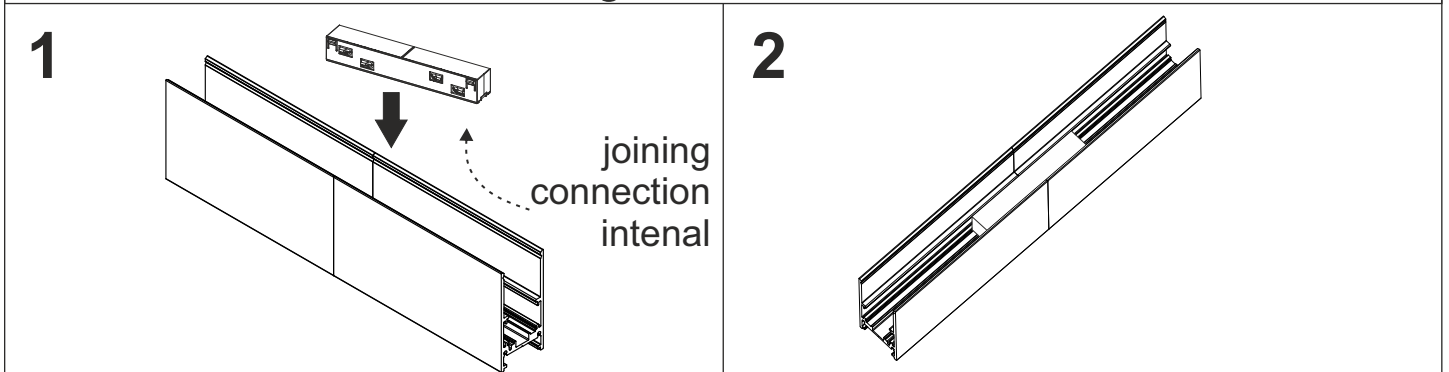


electrical connection

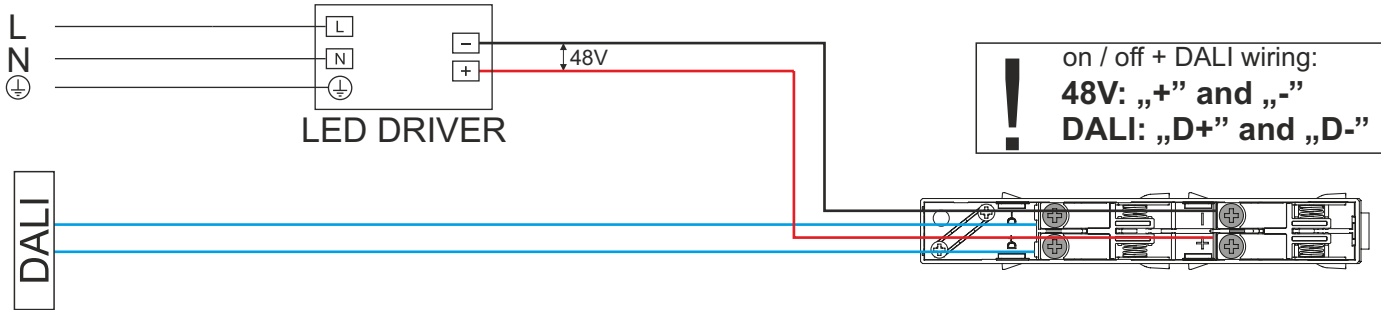
„L” - connection



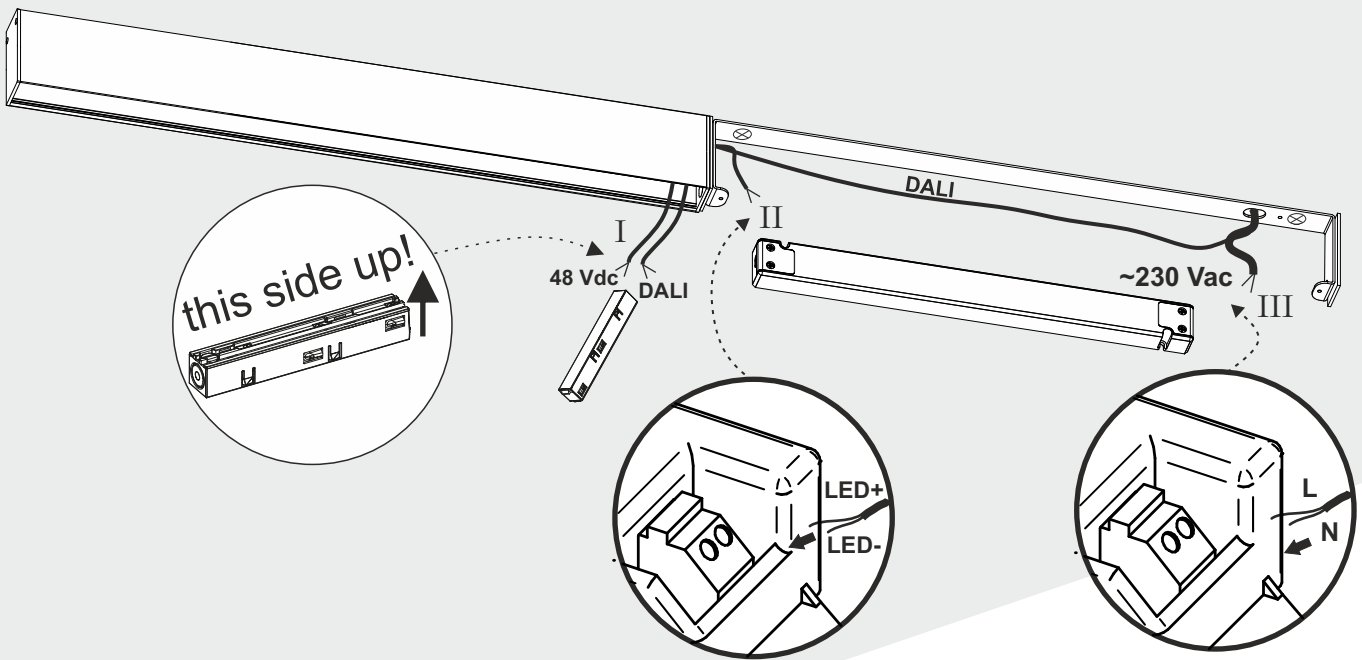
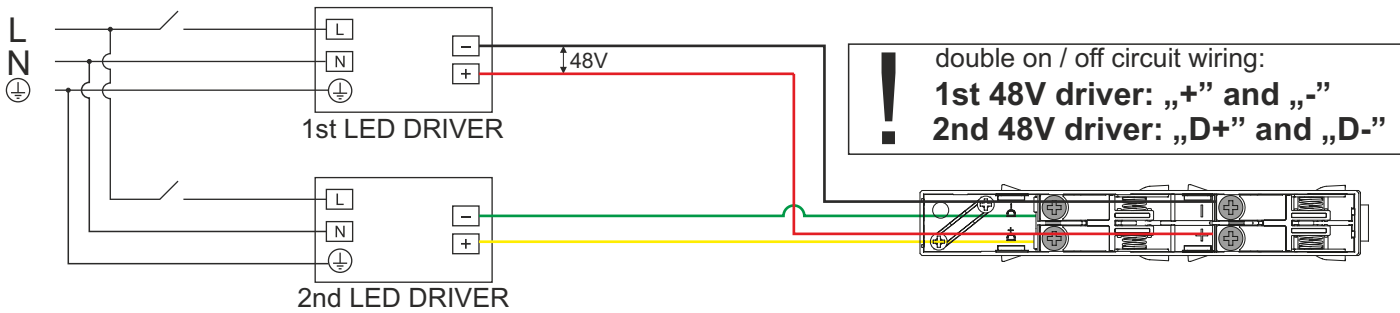
straight - connection



**on / off (+ optional DALI)**



**Double circuit on / off**



**DALI example**

(for double on/off circuit connection - replace DALI by 2nd 48V power line)

