



TUBA distance 50x2 230V surface

TUBA distance 50x2 230V natynkowa

Category: surface

Power 2x 35W (2x LED 10W)

Light source: PAR16, 230V

Lampholder: GU10

Dimming: Phase-Control

Light source not included

Transformer not required.

AVAILABLE FINISHES:

MATT GLOSS



TUBA distance 50x2 230V Phase-Control surface

45935-0000-U8-PH-xx

-xx finish option code from table below

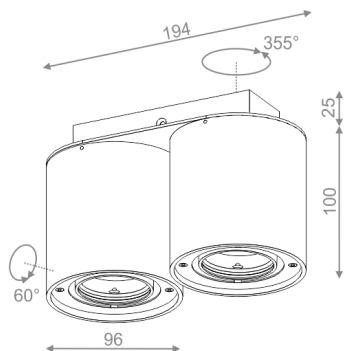
AVAILABLE FINISHES:

MATT

alu matt	-01	black matt	-02
white matt	-03	anthracite structure	-18
gold structure	-19		

GLOSS

black gloss	-22	white gloss	-23
-------------	-----	-------------	-----



Tolerance for dimensions

Warranty period 2 years