



## TUBA 111 QRLED 230V surface

### TUBA 111 QRLED 230V natynkowy

Category: surface

Power dependent on version

Light source: LED, integrated

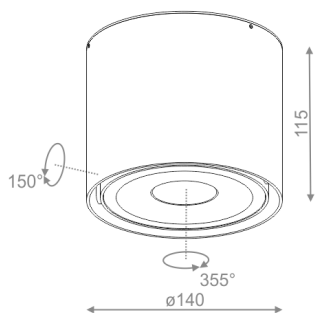
Dimming: Phase-Control

Integrated light source

Gear not required.

#### AVAILABLE FINISHES:

MATT MIX GLOSS



Tolerance for dimensions

Warranty period 5 years

#### AVAILABLE VERSIONS:

H927	High power - High power	2700K	CRI>90
M927	Medium power - Medium power	2700K	CRI>90
H930	High power - High power	3000K	CRI>90
M930	Medium power - Medium power	3000K	CRI>90
H940	High power - High power	4000K	CRI>90
M940	Medium power - Medium power	4000K	CRI>90

#### AVAILABLE LUMINAIRE LENGTH:

11 cm
23 cm
34 cm

#### AVAILABLE FINISHES:

##### MATT

alu matt	-01	black matt	-02
white matt	-03	grey	-16
anthracite structure	-18	gold structure	-19

##### MIX

mix	-06
-----	-----

##### GLOSS

black gloss	-22	white gloss	-23
-------------	-----	-------------	-----