



## SQUARES 50x3 230V surface

### SQUARES 50x3 230V natynkowy

Category: surface

Power 3x 35W (3x LED 10W)

Light source: PAR16, 230V

Lampholder: GU10

Dimming: Phase-Control

Light source not included

Transformer not required.

#### AVAILABLE FINISHES:

MIX STRUCTURE ADDITIONAL



SQUARES 50x3 230V Phase-Control surface

46011-0000-U8-PH-xx

-xx finish option code from table below

#### AVAILABLE FINISHES:

##### MIX

mix	-06
-----	-----

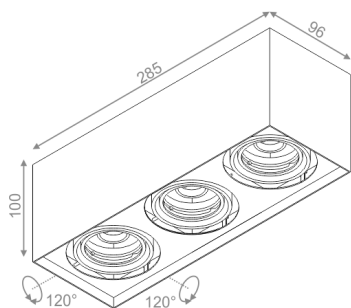
##### STRUCTURE

black structure	-12	white structure	-13
-----------------	-----	-----------------	-----

gold structure	-19
----------------	-----

##### ADDITIONAL

grey	-16	copper	-17
------	-----	--------	-----



Tolerance for dimensions  $\pm 1$ mm

Warranty period 2 years