

Last update on 2018-03-11 20:45. More details available at <https://www.aqform.com/en/45912>



SQUARES 50x2 surface

SQUARES 50x2 natynkowy

Category: surface

Power 2x 35W (2x LED 10W)

Light source: MR16, 12V AC

Lampholder: GU5.3

Dimming: Phase-Control

Light source not included

Electronic transformer included.

COOL BEAM not permitted.

AVAILABLE FINISHES:

MATT MIX W&B B&W



SQUARES 50x2 Phase-Control surface

45912-0000-T8-PH-xx

-xx finish option code from table below

AVAILABLE FINISHES:

MATT

alu matt	-01	black matt	-02
white matt	-03	anthracite structure	-18
gold structure	-19		

MIX

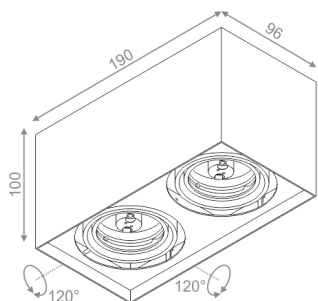
mix	-06		
-----	-----	--	--

B&W

bw black-white	-62		
----------------	-----	--	--

W&B

bw white-black	-63		
----------------	-----	--	--



Tolerance for dimensions

Warranty period 2 years