



## SQUARES 50x1 surface

### SQUARES 50x1 natynkowy

Category: surface

Power 35W (LED 10W)

Light source: MR16, 12V AC

Lampholder: GU5.3

Dimming: Phase-Control

Light source not included

Electronic transformer included.

COOL BEAM not permitted.

#### AVAILABLE FINISHES:

MATT MIX W&B B&W



SQUARES 50x1 Phase-Control surface

45911-0000-T8-PH-xx

-xx finish option code from table below

#### AVAILABLE FINISHES:

##### MATT

alu matt	-01	black matt	-02
white matt	-03	anthracite structure	-18
gold structure	-19		

##### MIX

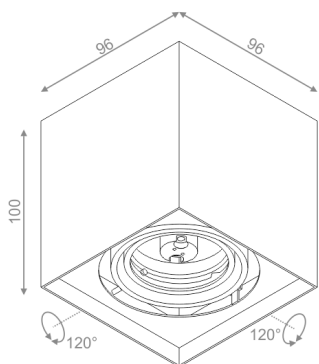
mix	-06		
-----	-----	--	--

##### B&W

bw black-white	-62		
----------------	-----	--	--

##### W&B

bw white-black	-63		
----------------	-----	--	--



Tolerance for dimensions

Warranty period 2 years