



## SQUARES 111x3 trimless 230V recessed

### SQUARES 111x3 trimless 230V wpuszczany

Category: recessed

Power 3x 50W (3x LED 15W)

Light source: ES111, 230V

Lampholder: GU10

Dimming: Phase-Control

Light source not included

Transformer not required.

#### AVAILABLE FINISHES:

MIX GLOSS STRUCTURE ADDITIONAL



SQUARES 111x3 trimless 230V Phase-Control  
recessed

32014-0000-U8-PH-xx

-xx finish option code from table below

#### AVAILABLE FINISHES:

##### MIX

mix	-06
-----	-----

##### STRUCTURE

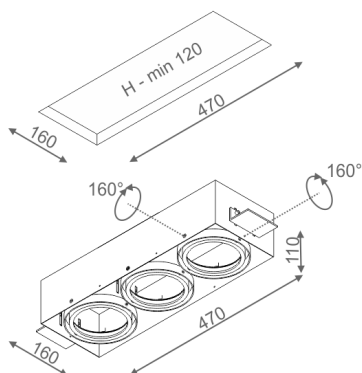
black structure	-12	white structure	-13
gold structure	-19		

##### ADDITIONAL

grey	-16	copper	-17
------	-----	--------	-----

##### GLOSS

black gloss	-22	white gloss	-23
-------------	-----	-------------	-----



Tolerance for dimensions  $\pm 1$ mm

Warranty period 2 years