



## SQUARES 111x2 surface

### SQUARES 111x2 natynkowy

Category: surface  
Power 2x 50W (2x LED 15W)  
Light source: AR111, 12V AC  
Lampholder: G53

Dimming: Phase-Control  
Light source not included  
Electronic transformer included.

**AVAILABLE FINISHES:**

MATT MIX W&B B&W



SQUARES 111x2 Phase-Control surface

40812-0000-T8-PH-xx

-xx finish option code from table below

**AVAILABLE FINISHES:**

**MATT**

alu matt	-01	black matt	-02
white matt	-03	anthracite structure	-18
gold structure	-19		

**MIX**

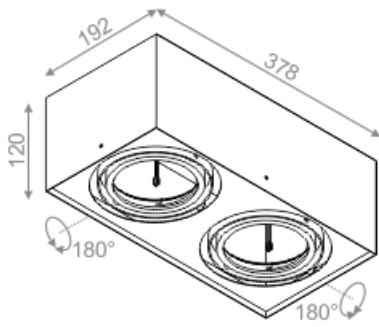
mix	-06
-----	-----

**B&W**

bw black-white	-62
----------------	-----

**W&B**

bw white-black	-63
----------------	-----



Tolerance for dimensions

Warranty period 2 years