



SQUARES 111x1 trimless 230V recessed

SQUARES 111x1 trimless 230V wpuszczany

Category: recessed

Power 50W (LED 15W)

Light source: ES111, 230V

Lampholder: GU10

Dimming: Phase-Control

Light source not included

Transformer not required.

The Quick Shipment offer includes selected product variants marked with the "QS" symbol next to the catalogue number.

AVAILABLE FINISHES:

MIX GLOSS STRUCTURE ADDITIONAL



SQUARES 111x1 trimless 230V Phase-Control recessed 37511-0000-U8-PH-xx

-xx finish option code from table below

AVAILABLE FINISHES:

MIX

mix	-06
-----	-----

STRUCTURE

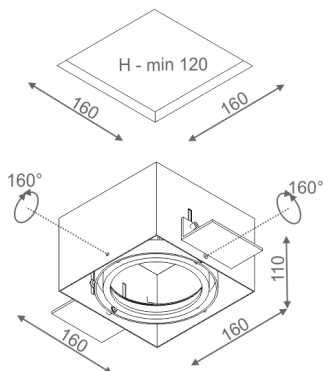
black structure	-12	white structure	-13
gold structure	-19	black-white	-46

ADDITIONAL

grey	-16	copper	-17
------	-----	--------	-----

GLOSS

black gloss	-22	white gloss	-23
-------------	-----	-------------	-----



Tolerance for dimensions ± 1 mm

Warranty period 2 years