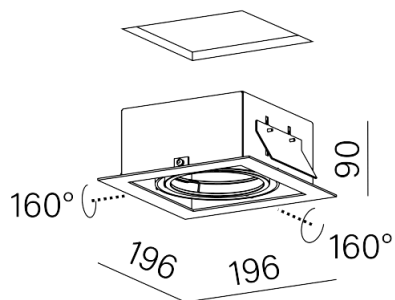


Last update on 2018-03-11 20:45. More details available at <https://www.aqform.com/en/30511>



## SQUARES 111x1 recessed

### SQUARES 111x1 wpuszczany

Category: recessed

Power 50W (LED )

Light source: AR111, 12V

Lampholder: G53

Dimming options: Phase-Control

Light source not included

Additional gear required.

Tolerance for dimensions  $\pm 1$ mm

Warranty period 2 years

#### AVAILABLE FINISHES:

MIX STRUCTURE ADDITIONAL



SQUARES 111x1 Phase-Control recessed

30511-0000-T8-PH-xx

-xx finish option code from table below

#### AVAILABLE FINISHES:

##### MIX

mix	-06
-----	-----

##### STRUCTURE

black structure	-12	white structure	-13
gold structure	-19	white-black	-46

##### ADDITIONAL

grey	-16	copper	-17
------	-----	--------	-----