



SLEEK distance 111x3 QRLED surface

SLEEK distance 111x3 QRLED natynkowy

Category: surface

Power 3x dependent on version

Light source: LED, integrated

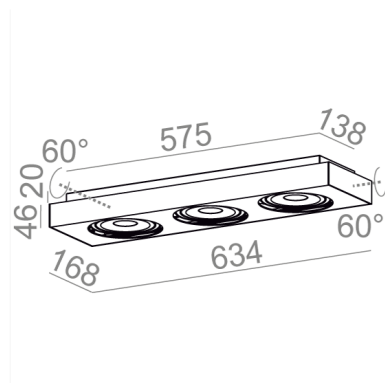
Dimming options: DALI, switchDIM

Integrated light source

Gear included.

AVAILABLE FINISHES:

MATT MIX



Tolerance for dimensions

Warranty period 5 years

AVAILABLE VERSIONS:

L927	Low power - Low power	2700K	CRI>90
M927	Medium power - Medium power	2700K	CRI>90
L930	Low power - Low power	3000K	CRI>90
M930	Medium power - Medium power	3000K	CRI>90
L940	Low power - Low power	4000K	CRI>90
M940	Medium power - Medium power	4000K	CRI>90

AVAILABLE FINISHES:

MATT

alu matt	-01	black matt	-02
white matt	-03	grey	-16
anthracite structure	-18	gold structure	-19

MIX

mix	-06
-----	-----