

Last update on 2018-03-11 20:45. More details available at <https://www.aqform.com/en/37163>



RING 111 trimless 230V recessed

RING 111 trimless 230V wpuszczany

Category: recessed

Power 35W (LED 15W)

Light source: ES111, 230V

Lampholder: GU10

Dimming: Phase-Control

Light source not included

Transformer not required.

AVAILABLE FINISHES:

MATT MIX GLOSS



RING 111 trimless 230V Phase-Control recessed

37163-0000-U8-PH-xx

-xx finish option code from table below

AVAILABLE FINISHES:

MATT

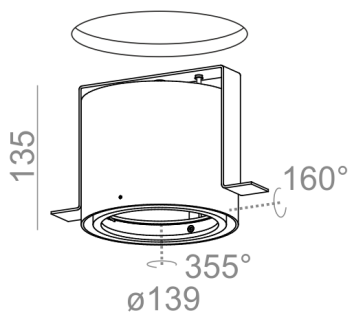
alu matt	-01	black matt	-02
white matt	-03	anthracite structure	-18
gold structure	-19		

MIX

mix	-06		
-----	-----	--	--

GLOSS

black gloss	-22	white gloss	-23
-------------	-----	-------------	-----



Tolerance for dimensions

Warranty period 2 years