



QRLED move 230V track

QRLED move 230V track

Category: spotlights

Power dependent on version

Light source: LED, integrated

Dimming: Phase-Control

Integrated light source

Gear not required.

The appearance of the luminaire with non-standard beam angles can differ from the product picture.

Mix colour -06 - allows the cover of white or black luminaires to be finished in gold, mix or gray colour from AQForm's palette. The Quick Shipment offer includes selected product variants marked with the "QS" symbol next to the catalogue number.

AVAILABLE FINISHES:

MIX STRUCTURE ADDITIONAL



AVAILABLE VERSIONS:

H927	High power - High power	2700K	CRI>90
M927	Medium power - Medium power	2700K	CRI>90
H930	High power - High power	3000K	CRI>90
M930	Medium power - Medium power	3000K	CRI>90
H940	High power - High power	4000K	CRI>90
M940	Medium power - Medium power	4000K	CRI>90

AVAILABLE FINISHES:

MIX

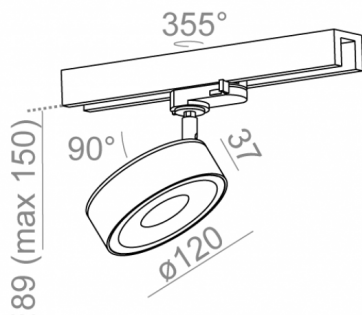
mix	-06
-----	-----

STRUCTURE

black structure	-12	white structure	-13
gold structure	-19		

ADDITIONAL

grey	-16	copper	-17
------	-----	--------	-----



Tolerance for dimensions ± 1mm

Warranty period 5 years