



PETPOT next mini LED spot

PETPOT next mini LED reflektor

Category: spotlights

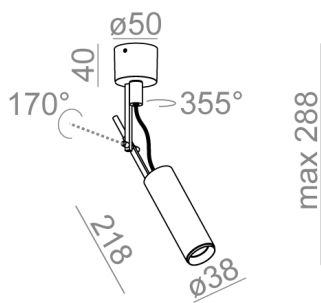
Light source: LED, dependent on version

Gear included.

Mix colour -06 - on white and black luminaires the colour of the decorative ring can be changed to gold, mix or gray colour from AQForm's palette.

AVAILABLE FINISHES:

MIX STRUCTURE ADDITIONAL



AVAILABLE VERSIONS:

M927	Medium power - Medium power	2700K	CRI>90
M930	Medium power - Medium power	3000K	CRI>90
M940	Medium power - Medium power	4000K	CRI>90

AVAILABLE FINISHES:

MIX			
mix	-06		
STRUCTURE			
black structure	-12	white structure	-13
gold structure	-19	black-white	-46
ADDITIONAL			
grey	-16	copper	-17

Tolerance for dimensions ± 1 mm

Warranty period 5 years