

Last update on 2018-03-11 20:45. More details available at <https://www.aqform.com/en/PE1811>



PET next mini LED spot

PET next mini LED reflektor

Category: spotlights

Light source: LED, integrated

Integrated light source

Gear included.

Mix colour -06 - on white and black luminaires the colour of the decorative ring can be changed to gold, mix or gray colour from AQForm's palette.

AVAILABLE FINISHES:

MIX STRUCTURE ADDITIONAL



AVAILABLE VERSIONS:

M927	Medium power - Medium power	2700K	CRI>90
M930	Medium power - Medium power	3000K	CRI>90
M940	Medium power - Medium power	4000K	CRI>90

AVAILABLE FINISHES:

MIX

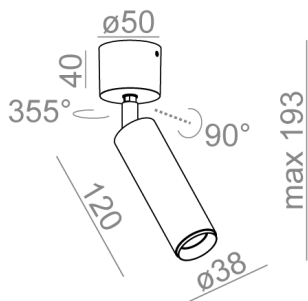
mix	-06
-----	-----

STRUCTURE

black structure	-12	white structure	-13
gold structure	-19	black-white	-46

ADDITIONAL

grey	-16	copper	-17
------	-----	--------	-----



Tolerance for dimensions ± 1 mm

Warranty period 5 years