



PET next maxi LED track

PET next maxi LED track

Category: spotlights

Light source: LED, integrated

Dimming options: dependent on version

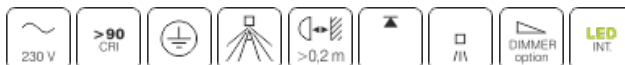
Integrated light source

Gear included.

Mix colour -06 - on white and black luminaires the colour of the decorative ring can be changed to gold, mix or grey colour from AQForm's palette.

AVAILABLE FINISHES:

MIX STRUCTURE ADDITIONAL

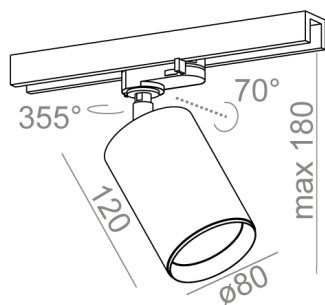


AVAILABLE VERSIONS:

L927	Low power - Low power	2700K	CRI>90
M927	Medium power - Medium power	2700K	CRI>90
L930	Low power - Low power	3000K	CRI>90
M930	Medium power - Medium power	3000K	CRI>90
L940	Low power - Low power	4000K	CRI>90
M940	Medium power - Medium power	4000K	CRI>90

AVAILABLE FINISHES:

MIX			
mix		-06	
STRUCTURE			
black structure	-12	white structure	-13
gold structure	-19	black-white	-46
ADDITIONAL			
grey	-16	copper	-17



Tolerance for dimensions ± 1mm

Warranty period 5 years