



PET next maxi LED spot

PET next maxi LED reflektor

Category: spotlights

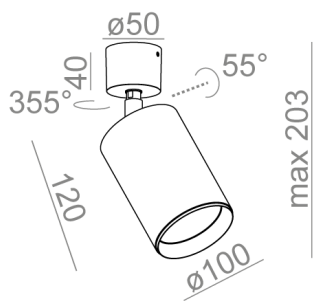
Light source: LED, integrated

Gear included.

Mix colour -06 - on white and black luminaires the colour of the decorative ring can be changed to gold, mix or gray colour from AQForm's palette.

AVAILABLE FINISHES:

MIX STRUCTURE ADDITIONAL



Tolerance for dimensions ± 1 mm

Warranty period 5 years

AVAILABLE VERSIONS:

L927	Low power - Low power	2700K	CRI>90
M927	Medium power - Medium power	2700K	CRI>90
L930	Low power - Low power	3000K	CRI>90
M930	Medium power - Medium power	3000K	CRI>90
L940	Low power - Low power	4000K	CRI>90
M940	Medium power - Medium power	4000K	CRI>90

AVAILABLE FINISHES:

MIX

mix	-06
-----	-----

STRUCTURE

black structure	-12	white structure	-13
gold structure	-19	black-white	-46

ADDITIONAL

grey	-16	copper	-17
------	-----	--------	-----