

Last update on 2018-03-11 20:45. More details available at <https://www.aqform.com/en/TU0814>



**ONLY round 12 LED 230V hermetic surface**

**ONLY round 12 LED 230V hermetic natynkowy**

Category: ip rated

Power dependent on version

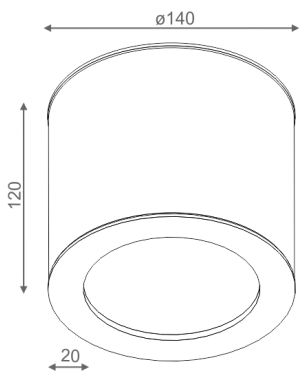
Light source: LED, integrated

Integrated light source

Gear not required.

**AVAILABLE FINISHES:**

STRUCTURE ADDITIONAL



Tolerance for dimensions ± 1mm

**AVAILABLE VERSIONS:**

L927	Low power - Low power	2700K	CRI>90
M927	Medium power - Medium power	2700K	CRI>90
L930	Low power - Low power	3000K	CRI>90
M930	Medium power - Medium power	3000K	CRI>90
L940	Low power - Low power	4000K	CRI>90
M940	Medium power - Medium power	4000K	CRI>90

**AVAILABLE FINISHES:**

**STRUCTURE**

black structure	-12	white structure	-13
gold structure	-19		

**ADDITIONAL**

grey	-16	copper	-17
------	-----	--------	-----

Warranty period 5 years