



MIXLINE INV LED surface

MIXLINE INV LED natynkowy

Category: surface

Power dependent on version

Light source: LED, integrated

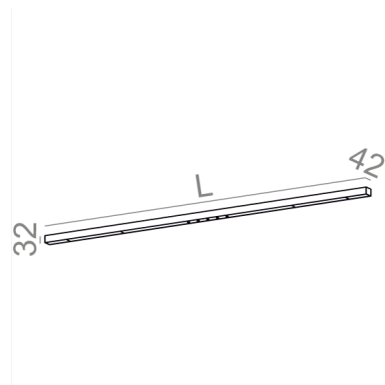
Dimming options: DALI, switchDIM, AQsmart

Integrated light source

Gear included.

AVAILABLE FINISHES:

MATT MIX



Tolerance for dimensions

Warranty period 5 years



AVAILABLE VERSIONS:

M927	Medium power - Medium power	2700K	CRI>90
M930	Medium power - Medium power	3000K	CRI>90
M940	Medium power - Medium power	4000K	CRI>90

AVAILABLE LUMINAIRE LENGTH:

167 cm

192 cm

AVAILABLE FINISHES:

MATT

alu matt	-01	black matt	-02
white matt	-03	anthracite structure	-18
gold structure	-19		

MIX

mix	-06
-----	-----