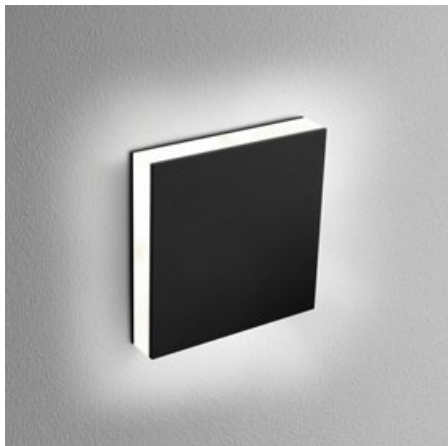


Last update on 2018-03-11 20:45. More details available at <https://www.aqform.com/en/LP6212>



LEDPOINT square LED 230V wall G/K

LEDPOINT square LED 230V kinkiet G/K

Category: wall

Power 4W

Light source: LED, integrated

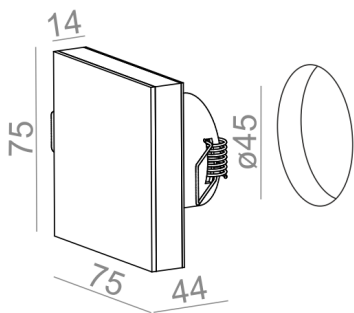
Dimming: Phase-Control

Integrated light source

Gear not required.

AVAILABLE FINISHES:

MATT GLOSS



AVAILABLE VERSIONS:

M927	Medium power - Medium power	2700K	CRI>90
M930	Medium power - Medium power	3000K	CRI>90
M940	Medium power - Medium power	4000K	CRI>90

AVAILABLE FINISHES:

MATT

alu matt	-01	black matt	-02
white matt	-03	anthracite structure	-18
gold structure	-19		

GLOSS

black gloss	-22	white gloss	-23
-------------	-----	-------------	-----

Tolerance for dimensions

Warranty period 5 years