



GLOB wall

GLOB kinkiet

Category: wall

Power 35W (LED 12,5W)

Light source: AR111, 12V AC

Lampholder: G53

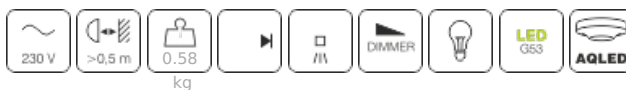
Dimming: Phase-Control

Light source not included

Electronic transformer included.

AVAILABLE FINISHES:

MATT MIX GLOSS



GLOB Phase-Control wall

20101-0000-T8-PH-xx

-xx finish option code from table below

AVAILABLE FINISHES:

MATT

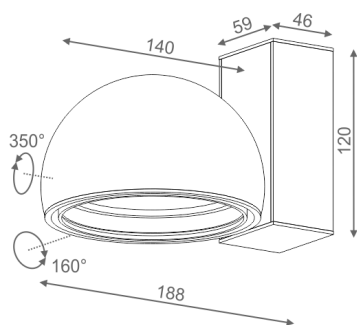
alu matt	-01	black matt	-02
white matt	-03	anthracite structure	-18
gold structure	-19		

MIX

mix	-06		
-----	-----	--	--

GLOSS

black gloss	-22	white gloss	-23
-------------	-----	-------------	-----



Tolerance for dimensions

Warranty period 2 years