



## CERES 111x3 R spot

### CERES 111x3 R reflektor

Category: spotlights

Power 3x 50W (3x LED 12,5W)

Light source: AR111, 12V AC

Lampholder: G53

Dimming: Phase-Control

Light source not included

Electronic transformer included.

#### AVAILABLE FINISHES:

MIX GLOSS STRUCTURE ADDITIONAL



CERES 111x3 R Phase-Control spot

15213-0000-T8-PH-xx

-xx finish option code from table below

#### AVAILABLE FINISHES:

##### MIX

mix	-06
-----	-----

##### STRUCTURE

black structure	-12	white structure	-13
-----------------	-----	-----------------	-----

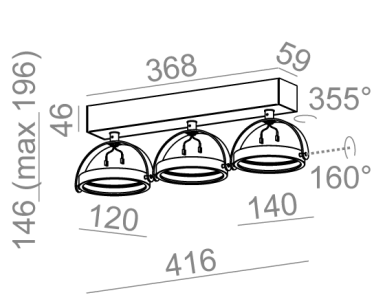
gold structure	-19
----------------	-----

##### ADDITIONAL

grey	-16	copper	-17
------	-----	--------	-----

##### GLOSS

black gloss	-22	white gloss	-23
-------------	-----	-------------	-----



Tolerance for dimensions  $\pm 1$ mm

Warranty period 2 years