

Last update on 2018-03-11 20:45. More details available at <https://www.aqform.com/en/16322>



CERES 111 plus track

CERES 111 plus track

Category: spotlights

Power 50W (LED 12,5W)

Light source: AR111, 12V AC

Lampholder: G53

Dimming: Phase-Control

Light source not included

Electronic transformer included.

AVAILABLE FINISHES:

MATT MIX



CERES 111 plus Phase-Control track

16322-0000-T8-PH-xx

-xx finish option code from table below

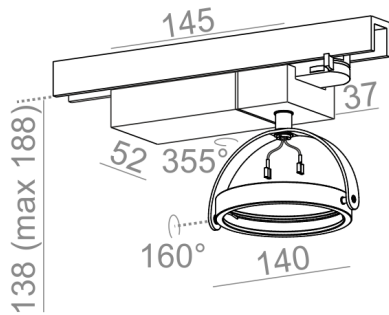
AVAILABLE FINISHES:

MATT

alu matt	-01	black matt	-02
white matt	-03	anthracite structure	-18
gold structure	-19		

MIX

mix	-06		
-----	-----	--	--



Tolerance for dimensions

Warranty period 2 years