



## CADVA 111x4 SQ suspended

### CADVA 111x4 SQ zwieszana

Category: suspended

Power 4x 50W (4x LED 15W)

Light source: AR111, 12V AC

Lampholder: G53

Dimming: Phase-Control

Light source not included

Electronic transformer included.

#### AVAILABLE FINISHES:

MATT MIX GLOSS



CADVA 111x4 SQ Phase-Control suspended

53114-0000-T8-PH-xx

-xx finish option code from table below

#### AVAILABLE FINISHES:

##### MATT

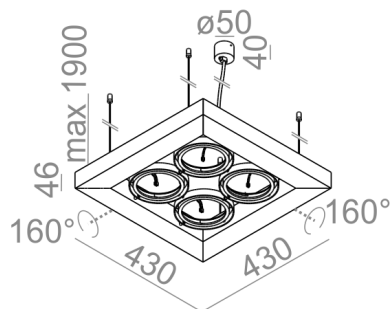
|                |     |                      |     |
|----------------|-----|----------------------|-----|
| alu matt       | -01 | black matt           | -02 |
| white matt     | -03 | anthracite structure | -18 |
| gold structure | -19 |                      |     |

##### MIX

|     |     |  |  |
|-----|-----|--|--|
| mix | -06 |  |  |
|-----|-----|--|--|

##### GLOSS

|             |     |             |     |
|-------------|-----|-------------|-----|
| black gloss | -22 | white gloss | -23 |
|-------------|-----|-------------|-----|



Tolerance for dimensions

Warranty period 2 years