



CADVA 111x2 suspended

CADVA 111x2 zwieszana

Category: suspended

Power 2x 50W (2x LED 15W)

Light source: AR111, 12V AC

Lampholder: G53

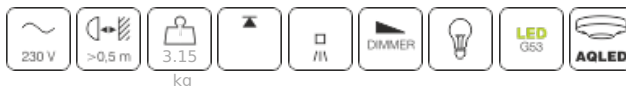
Dimming: Phase-Control

Light source not included

Electronic transformer included.

AVAILABLE FINISHES:

MATT MIX GLOSS W&B B&W



CADVA 111x2 Phase-Control suspended

52812-0000-T8-PH-xx

-xx finish option code from table below

AVAILABLE FINISHES:

MATT

alu matt	-01	black matt	-02
white matt	-03	anthracite structure	-18
gold structure	-19		

MIX

mix	-06		
-----	-----	--	--

GLOSS

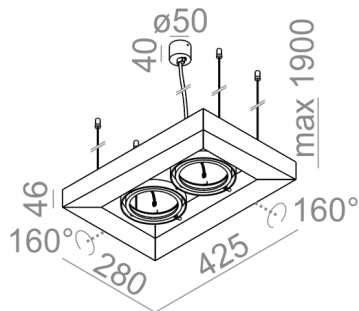
black gloss	-22	white gloss	-23
-------------	-----	-------------	-----

B&W

bw black-white	-62		
----------------	-----	--	--

W&B

bw white-black	-63		
----------------	-----	--	--



Tolerance for dimensions

Warranty period 2 years