



CADRA 111x1 230V suspended

CADRA 111x1 230V zwieszana

Category: suspended
Power 50W (LED 15W)
Light source: ES111, 230V
Lampholder: GU10

Dimming: Phase-Control
Light source not included
Transformer not required.

AVAILABLE FINISHES:

MATT MIX GLOSS W&B B&W



CADRA 111x1 230V Phase-Control suspended

54611-0000-U8-PH-xx

-xx finish option code from table below

AVAILABLE FINISHES:

MATT

alu matt	-01	black matt	-02
white matt	-03	anthracite structure	-18
gold structure	-19		

MIX

mix	-06		
-----	-----	--	--

GLOSS

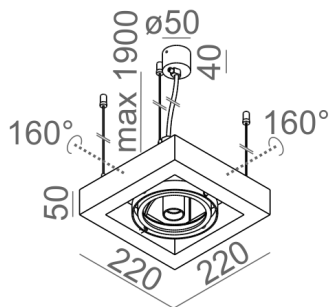
black gloss	-22	white gloss	-23
-------------	-----	-------------	-----

B&W

bw black-white	-62		
----------------	-----	--	--

W&B

bw white-black	-63		
----------------	-----	--	--



Tolerance for dimensions

Warranty period 2 years