



ARES 111 plus spot

ARES 111 plus reflektor

Category: spotlights

Power 50W (LED 12,5W)

Light source: AR111, 12V AC

Lampholder: G53

Dimming: Phase-Control

Light source not included

Electronic transformer included.

AVAILABLE FINISHES:

MATT GLOSS



ARES 111 plus Phase-Control spot

10711-0000-T8-PH-xx

-xx finish option code from table below

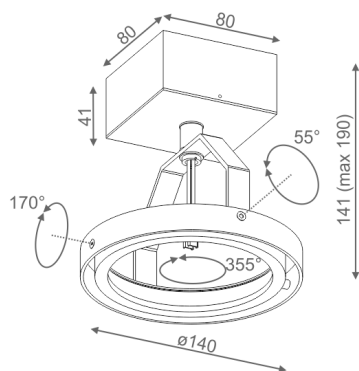
AVAILABLE FINISHES:

MATT

alu matt	-01	black matt	-02
white matt	-03	anthracite structure	-18
gold structure	-19		

GLOSS

black gloss	-22	white gloss	-23
-------------	-----	-------------	-----



Tolerance for dimensions

Warranty period 2 years