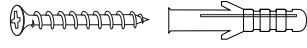
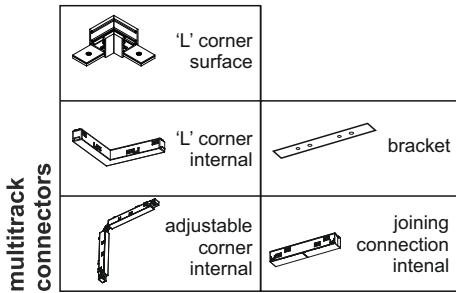
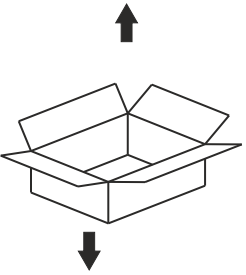


#### REQUIRED

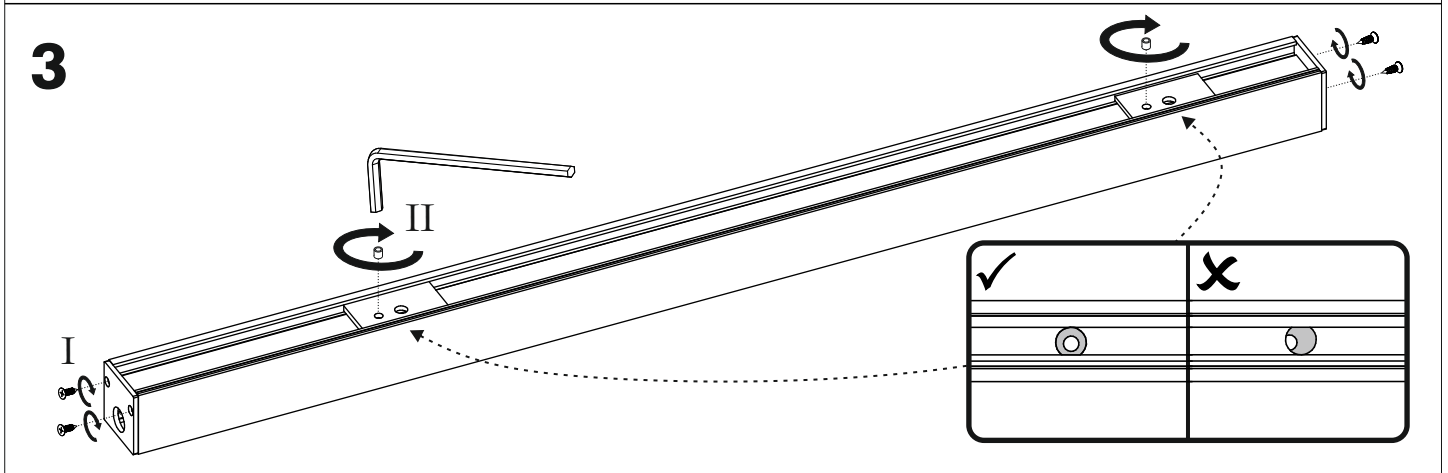
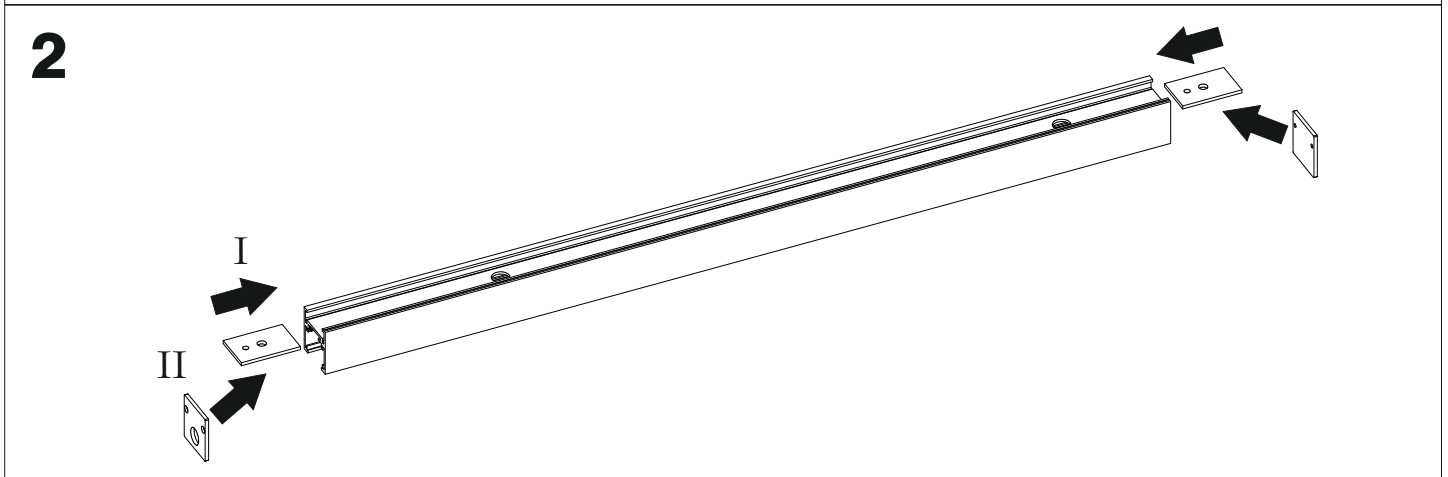
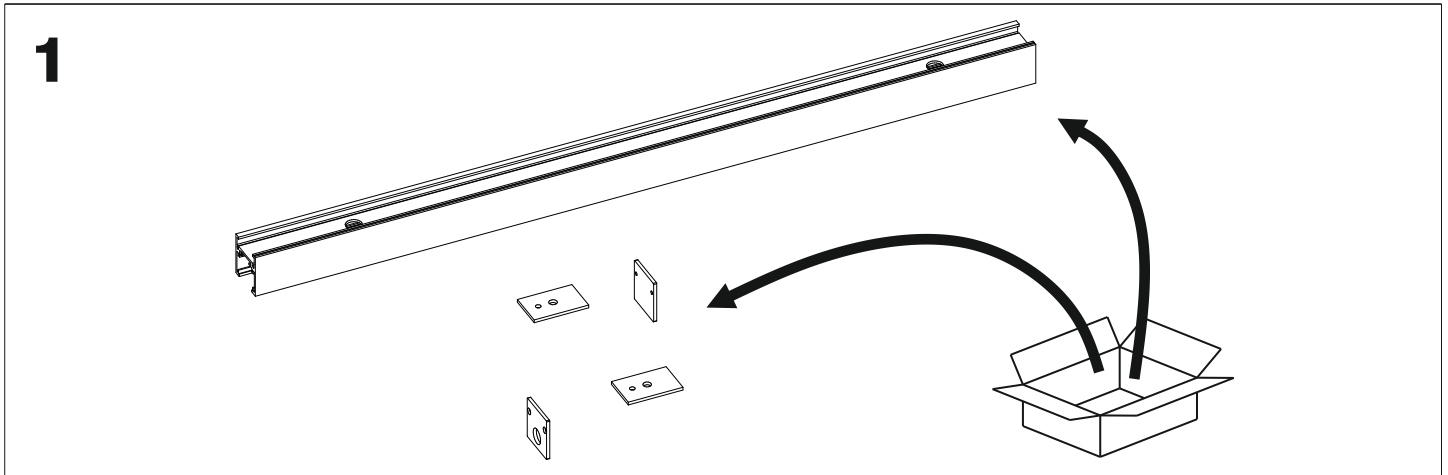
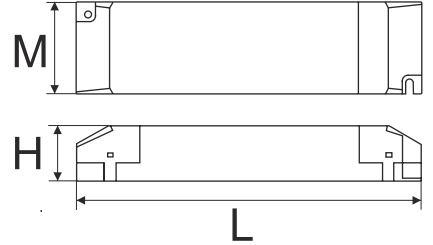
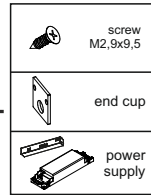


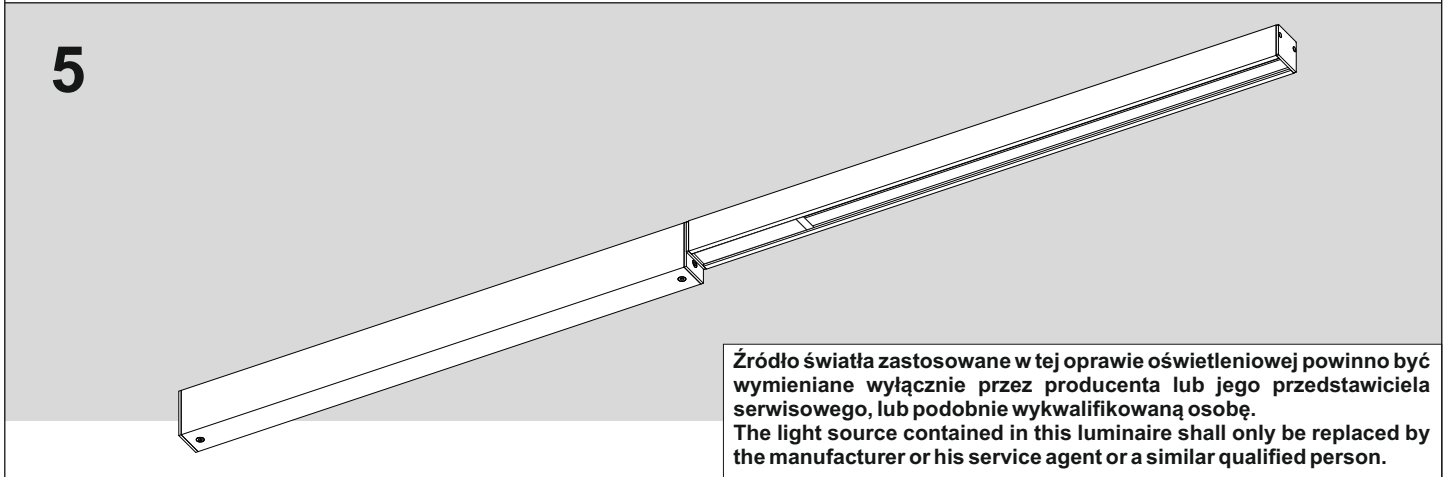
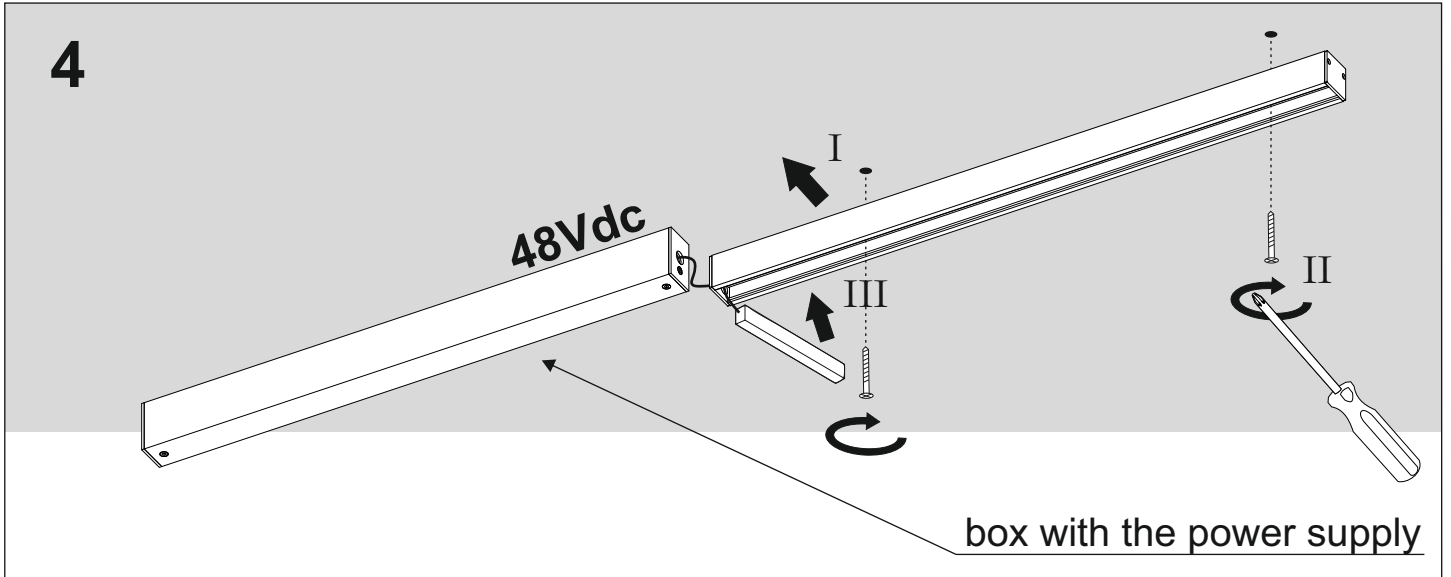
#### power supply dimensions

| DRIVER | 60W | 100W | 200W |
|--------|-----|------|------|
| L [mm] | 163 | 300  | 390  |
| M [mm] | 43  | 30   | 30   |
| H [mm] | 32  | 17   | 23   |



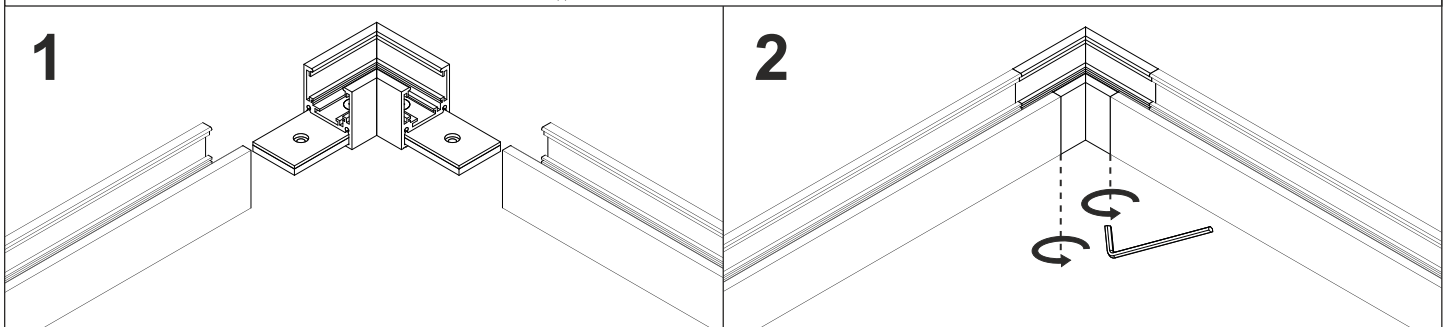
straight multitrack line requirement



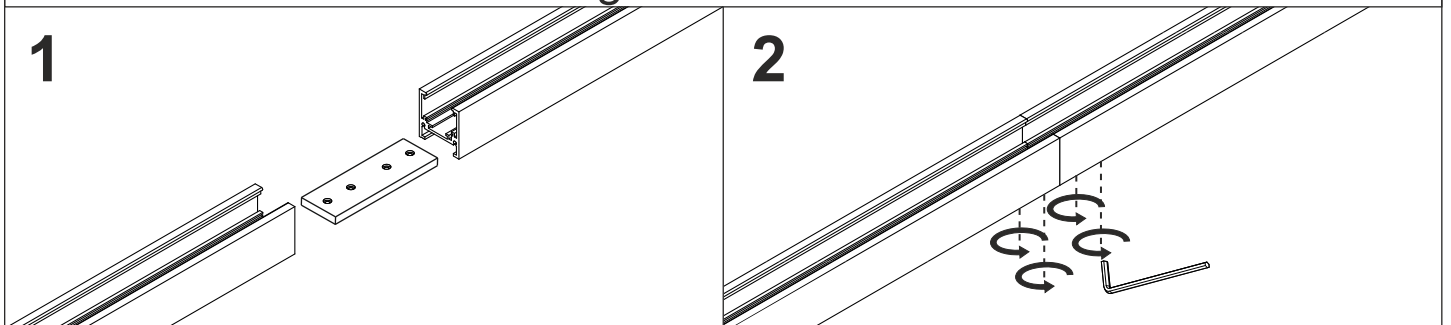


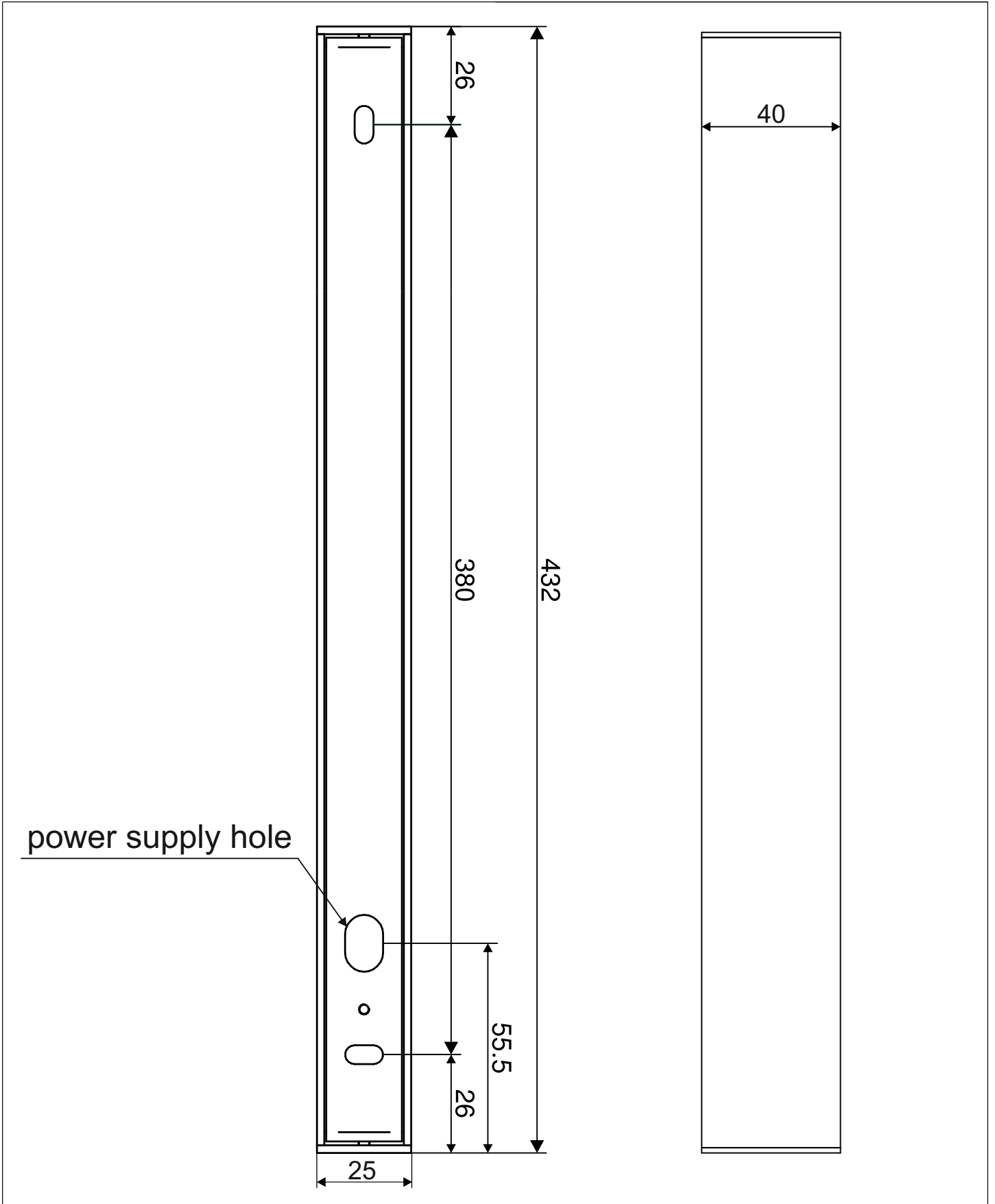
**mechanical connection**

**„L” - connection**

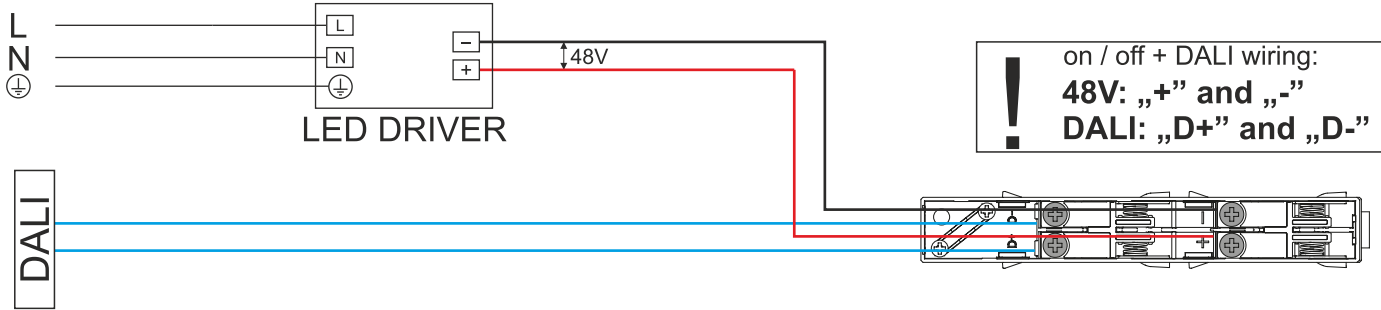


**straight - connection**

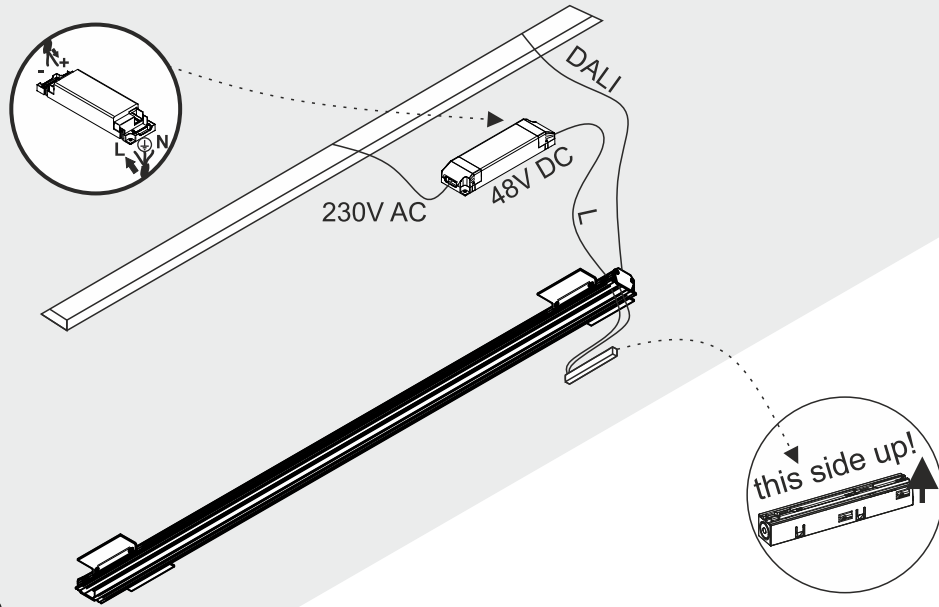
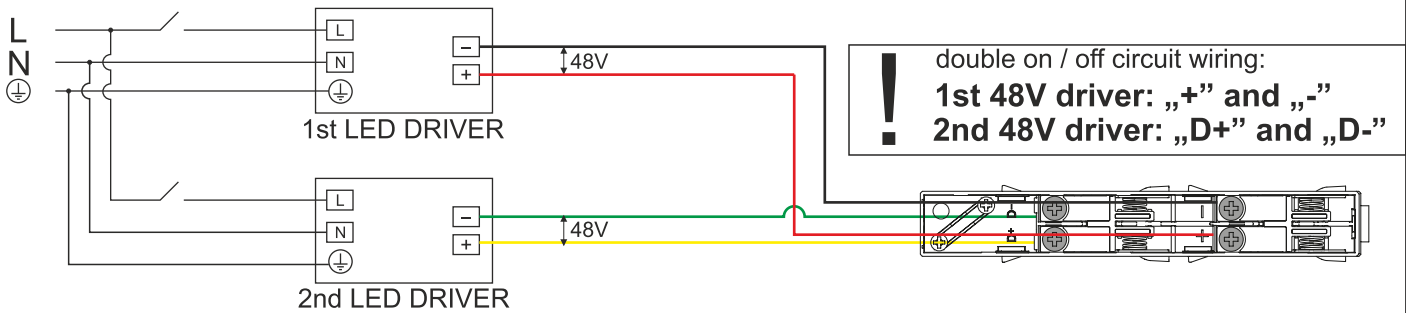




#### on / off (+ optional DALI)



#### Double circuit on / off



#### DALI example

(for double on/off circuit connection  
replace DALI by 2nd 48V power line)

| CV LED driver 48 V - max 150W |                            |                            |                          |                          | CV LED driver 48 V - max 70W |                             |                          |                            |                            |
|-------------------------------|----------------------------|----------------------------|--------------------------|--------------------------|------------------------------|-----------------------------|--------------------------|----------------------------|----------------------------|
| distance (L)                  | 5m                         | 10m                        | 20m                      | 30m                      | distance (L)                 | 5m                          | 10m                      | 20m                        | 30m                        |
| cable diameter                | 1,5mm <sup>2</sup> / AWG15 | 2,5mm <sup>2</sup> / AWG13 | 4mm <sup>2</sup> / AWG11 | 4mm <sup>2</sup> / AWG11 | cable diameter               | 0,75mm <sup>2</sup> / AWG18 | 1mm <sup>2</sup> / AWG17 | 1,5mm <sup>2</sup> / AWG15 | 2,5mm <sup>2</sup> / AWG13 |



