

multitrack connectors

- 'L' corner recessed
- 'L' corner internal
- adjustable corner internal

straight multitrack line requirement

- bracket for trimless
- screw M2,9x9,5
- end cup
- power supply

power supply dimensions

DRIVER	60W	100W	200W
L [mm]	163	300	390
M [mm]	43	30	30
H [mm]	32	17	23

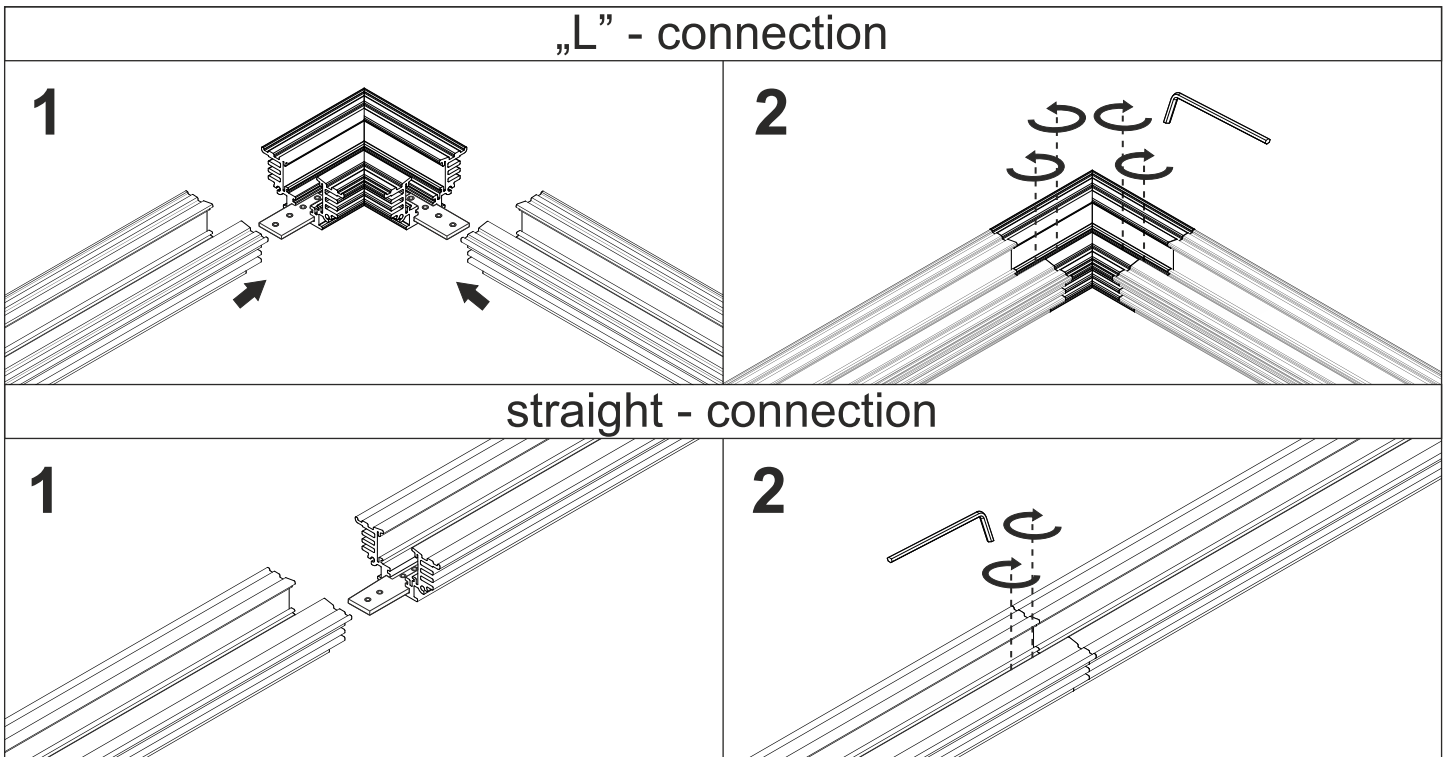
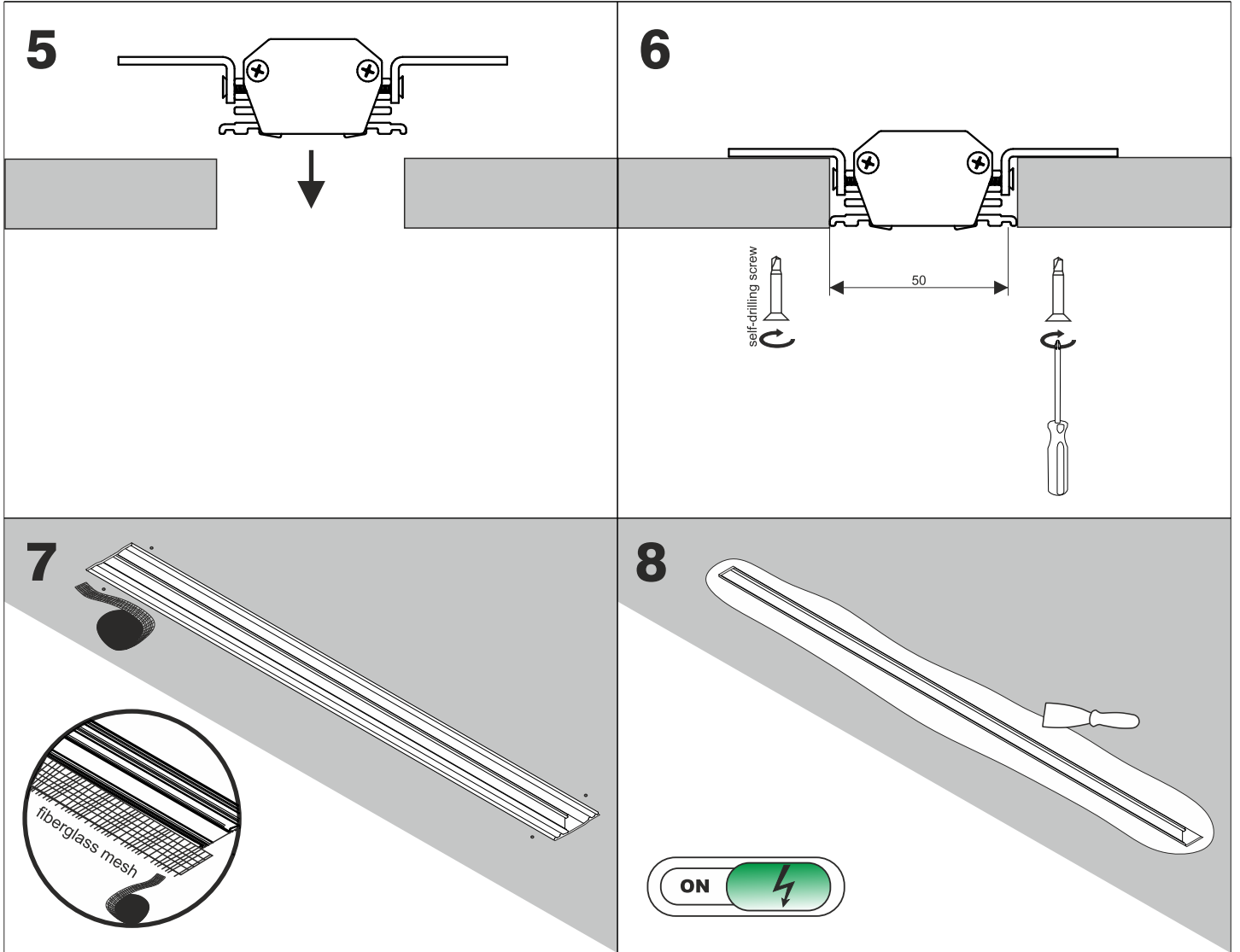
1

H [mm]	Hole	Level	Distance [mm]
12,5	A	1	500
15	B	1	
18	C	2	

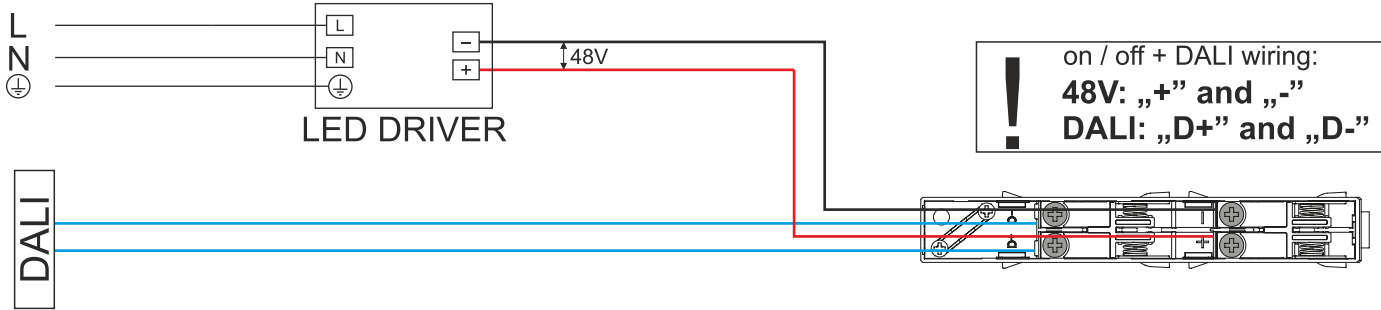
2

3

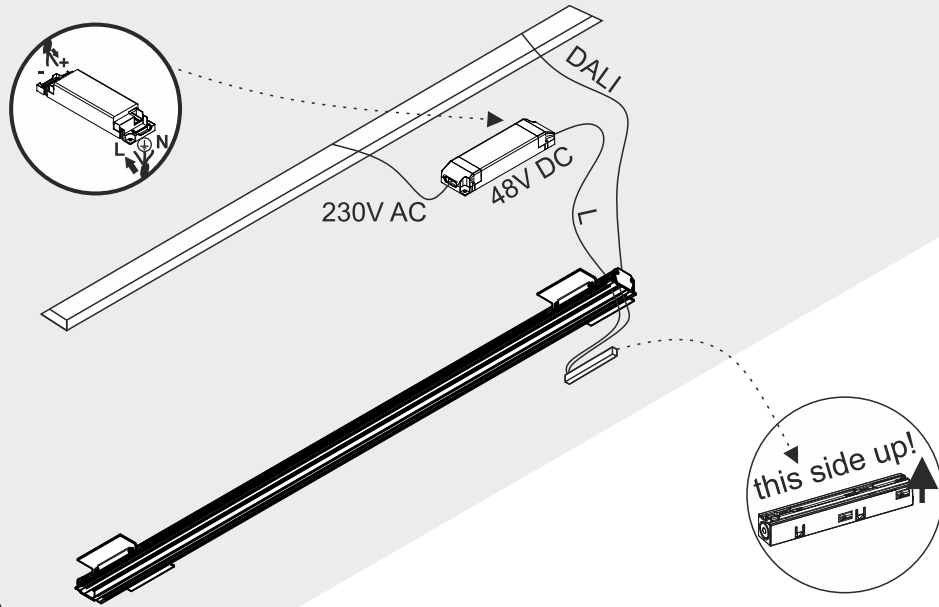
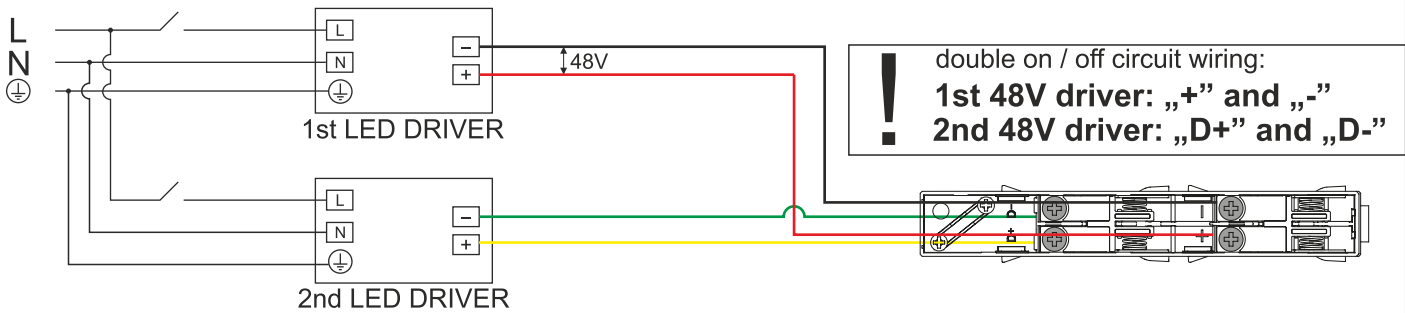
4



on / off (+ optional DALI)



Double circuit on / off



DALI example

(for double on/off circuit connection
replace DALI by 2nd 48V power line)

CV LED driver 48 V - max 150W					CV LED driver 48 V - max 70W				
distance (L)	5m	10m	20m	30m	distance (L)	5m	10m	20m	30m
cable diameter	1,5mm ² / AWG15	2,5mm ² / AWG13	4mm ² / AWG11	4mm ² / AWG11	cable diameter	0,75mm ² / AWG18	1mm ² / AWG17	1,5mm ² / AWG15	2,5mm ² / AWG13

