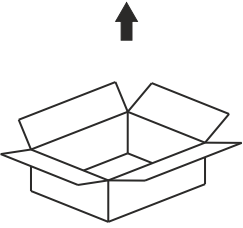
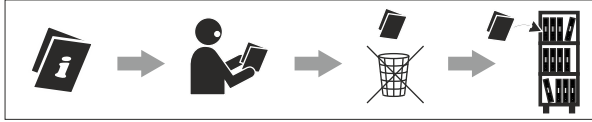
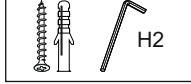


HIGH MULTITRACK up&down suspended system



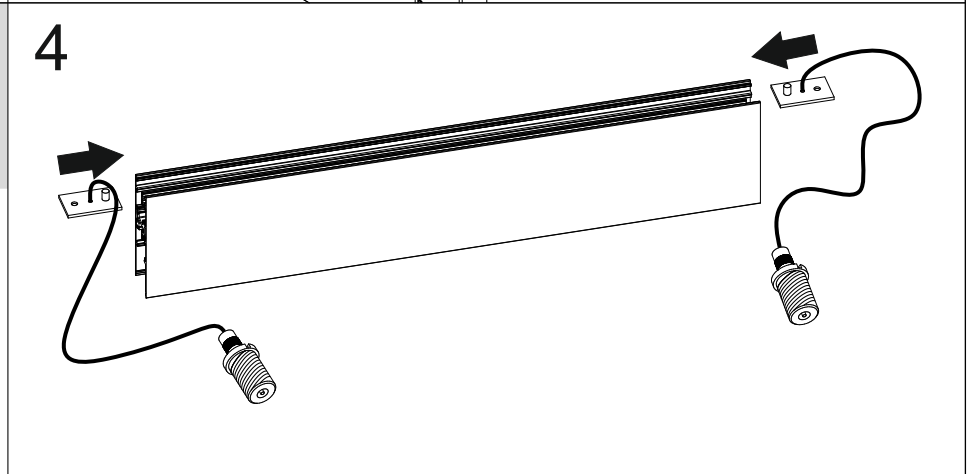
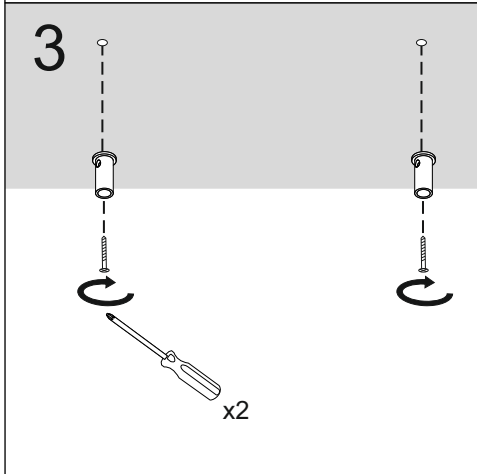
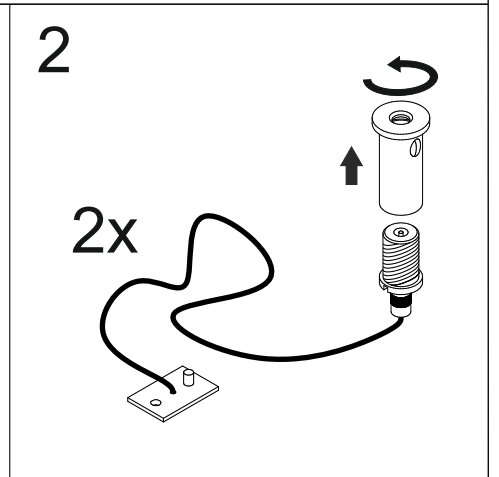
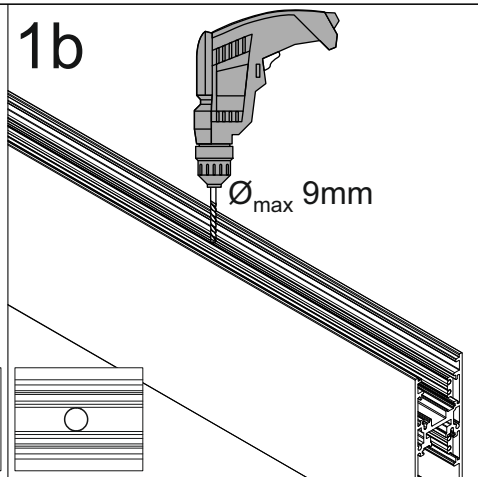
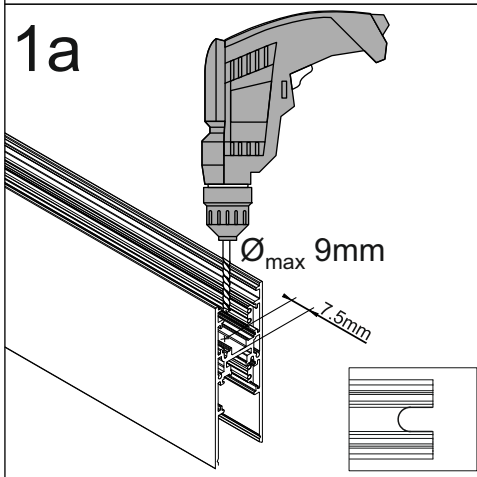
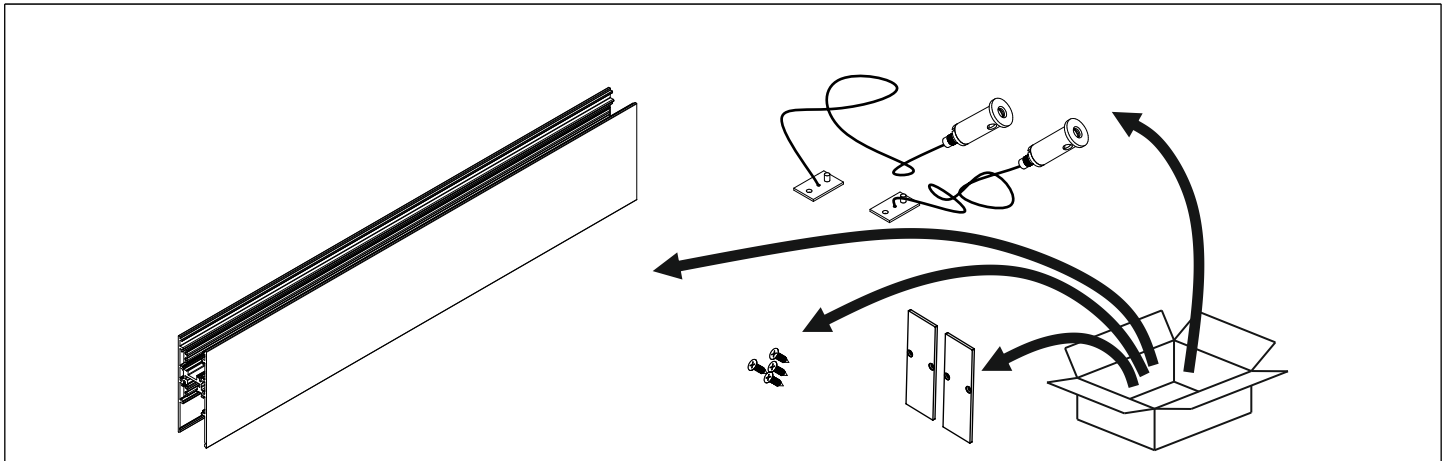
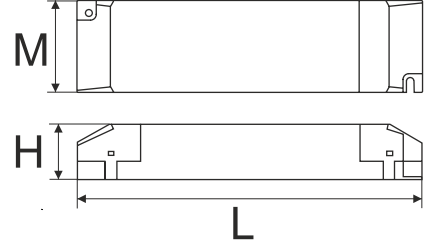
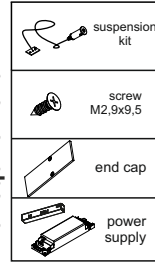
REQUIRED



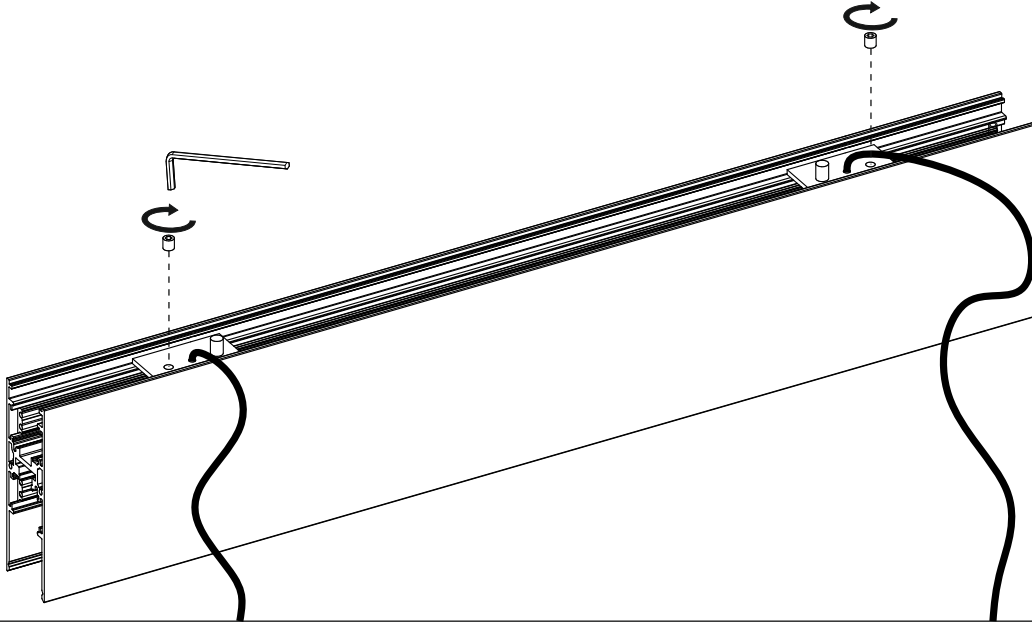
power supply dimensions

DRIVER	60W	100W	200W
L [mm]	163	300	390
M [mm]	43	30	30
H [mm]	32	17	23

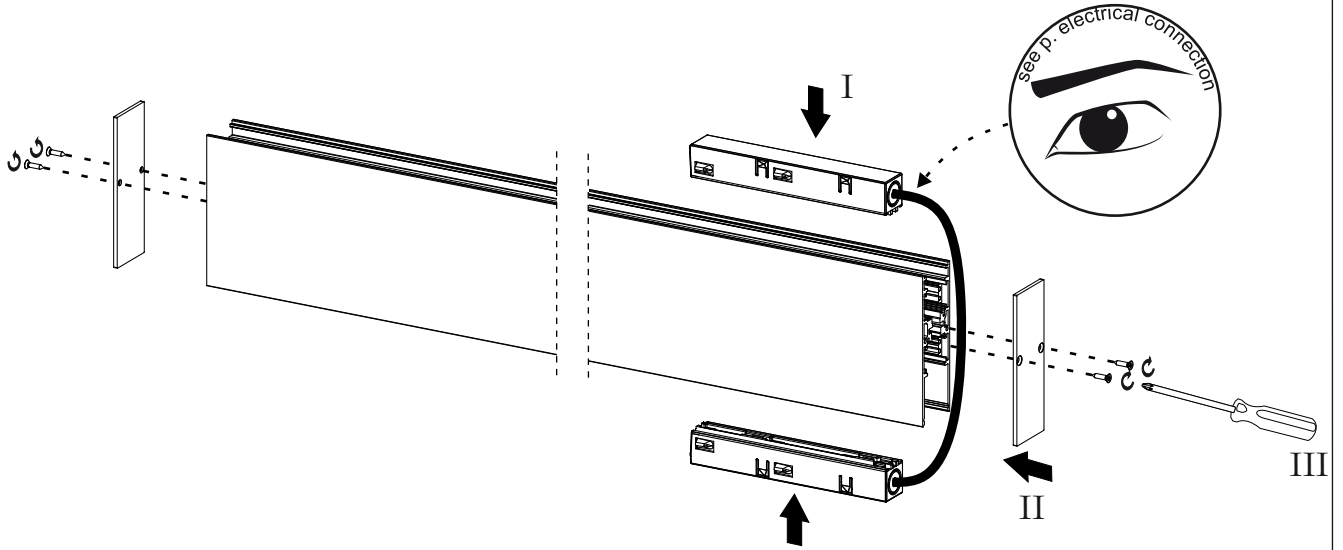
straight multitrack
line requirement



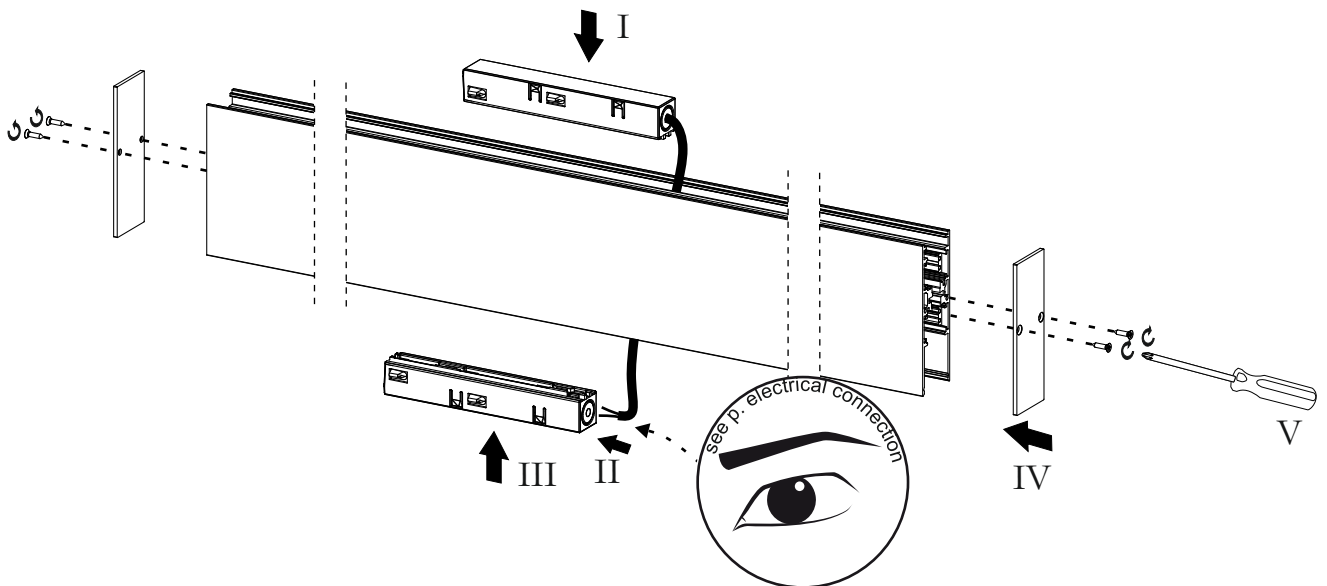
5



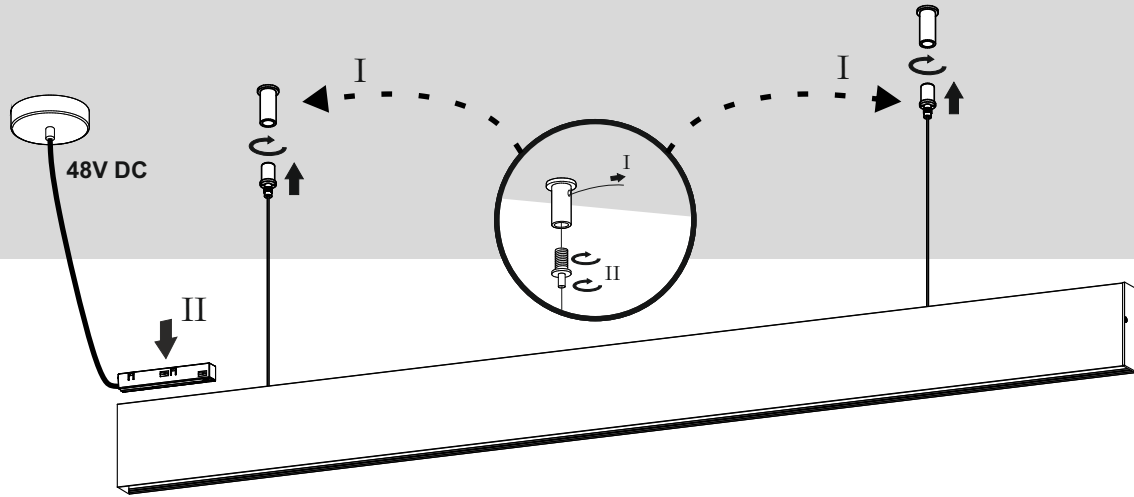
6a



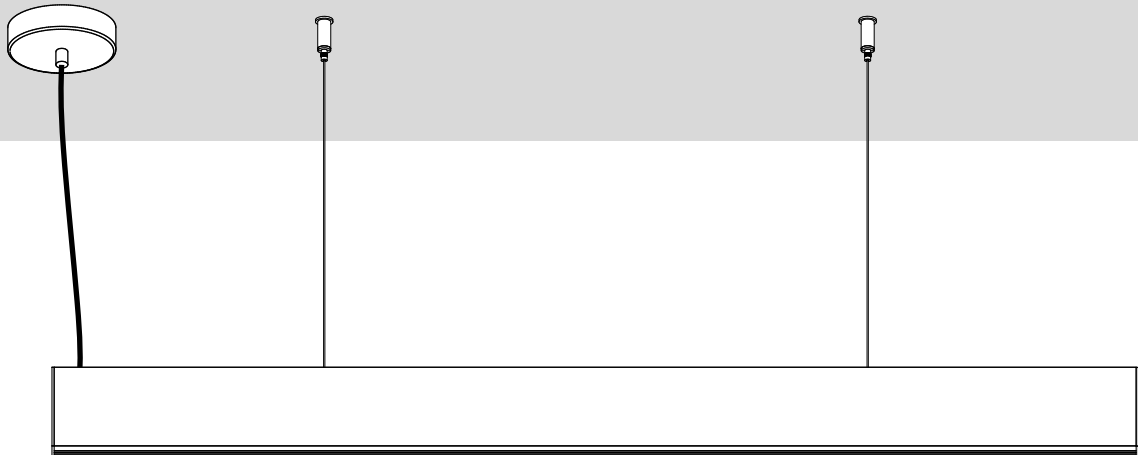
6b



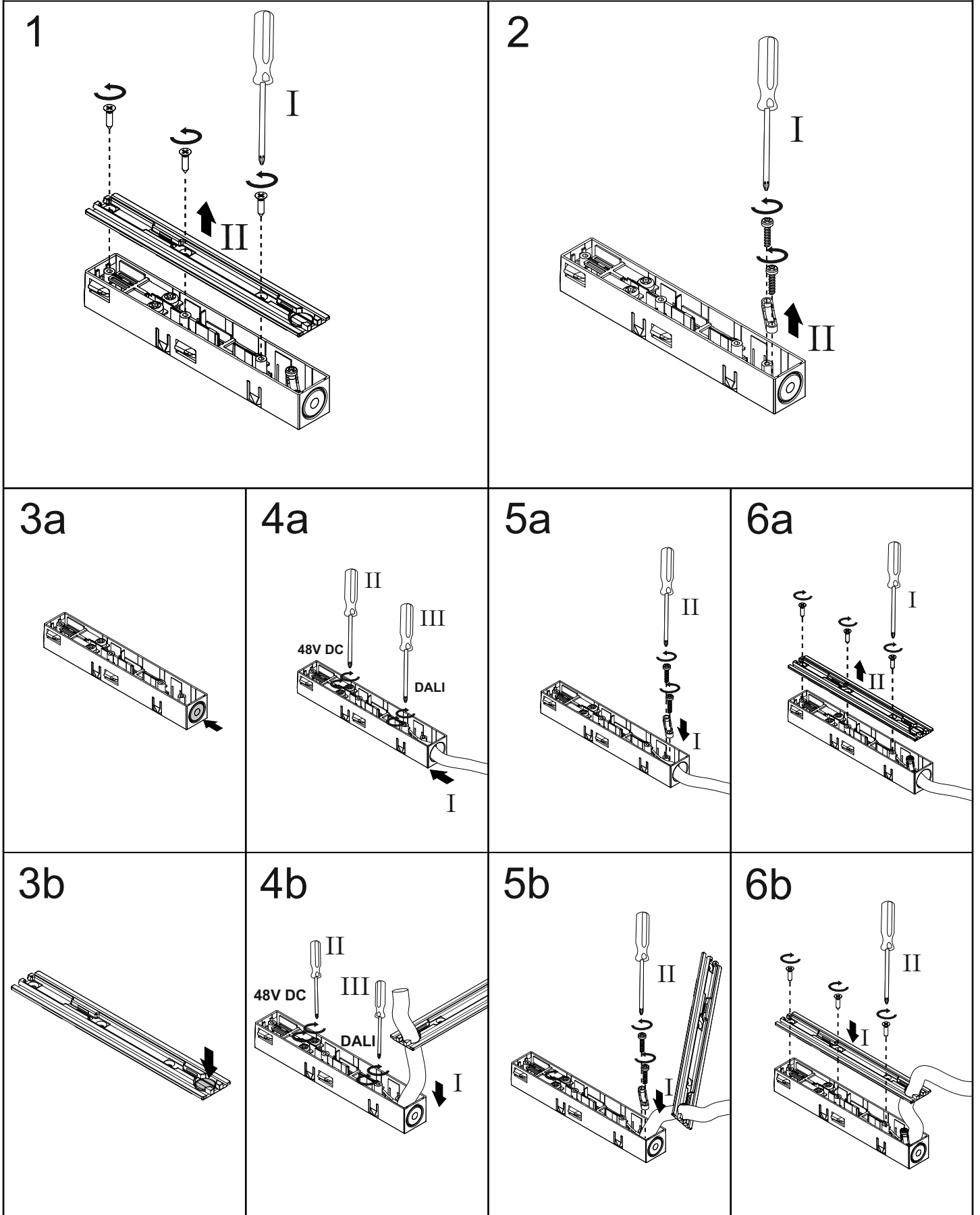
7



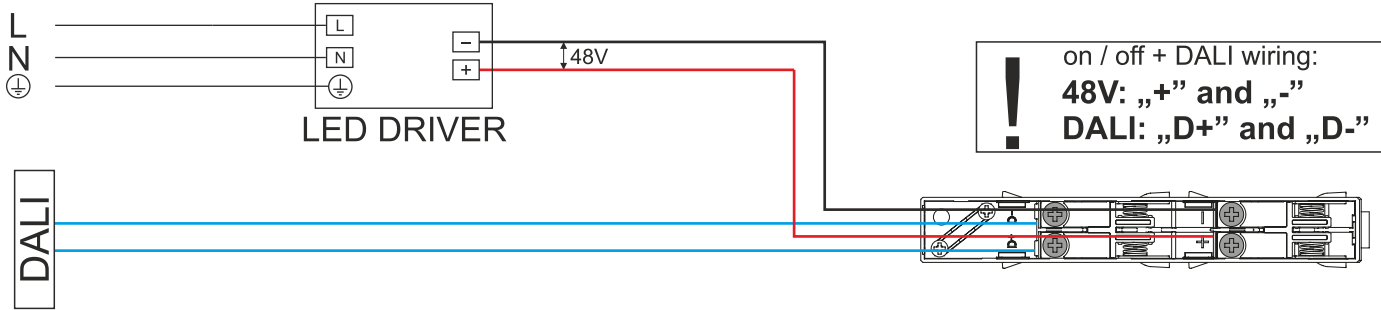
8



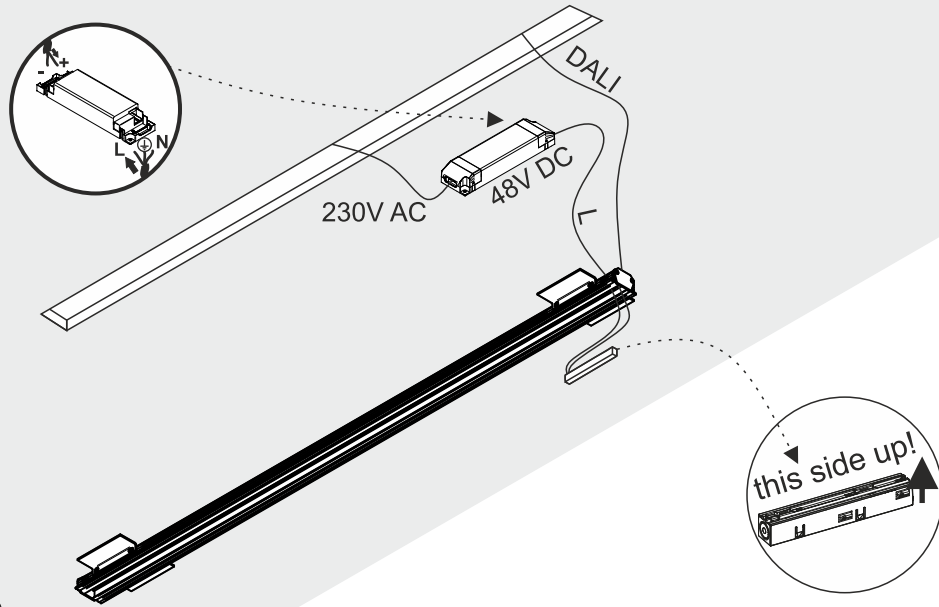
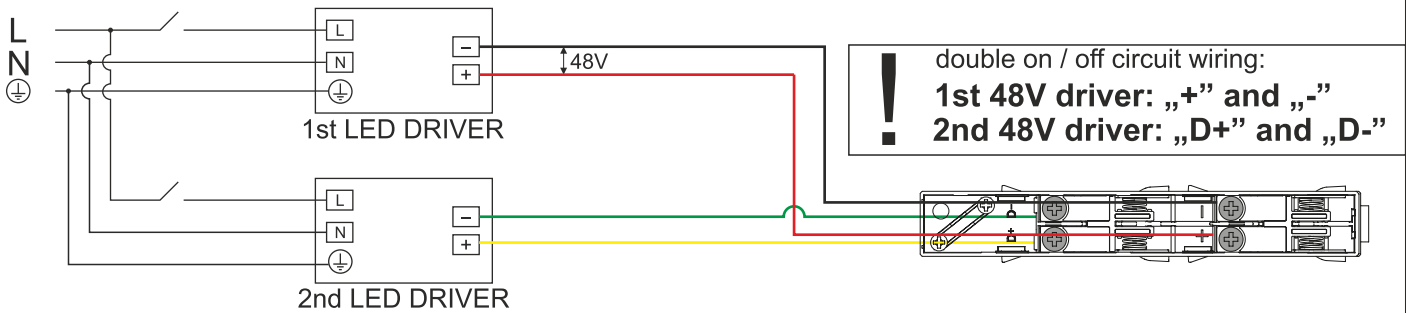
electrical connection



on / off (+ optional DALI)



Double circuit on / off



DALI example

(for double on/off circuit connection
replace DALI by 2nd 48V power line)

CV LED driver 48 V - max 150W					CV LED driver 48 V - max 70W				
distance (L)	5m	10m	20m	30m	distance (L)	5m	10m	20m	30m
cable diameter	1,5mm ² / AWG15	2,5mm ² / AWG13	4mm ² / AWG11	4mm ² / AWG11	cable diameter	0,75mm ² / AWG18	1mm ² / AWG17	1,5mm ² / AWG15	2,5mm ² / AWG13

