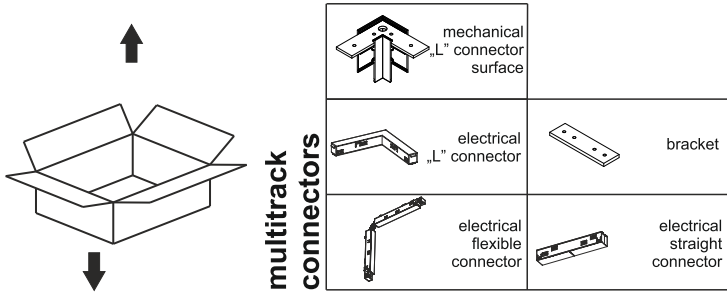


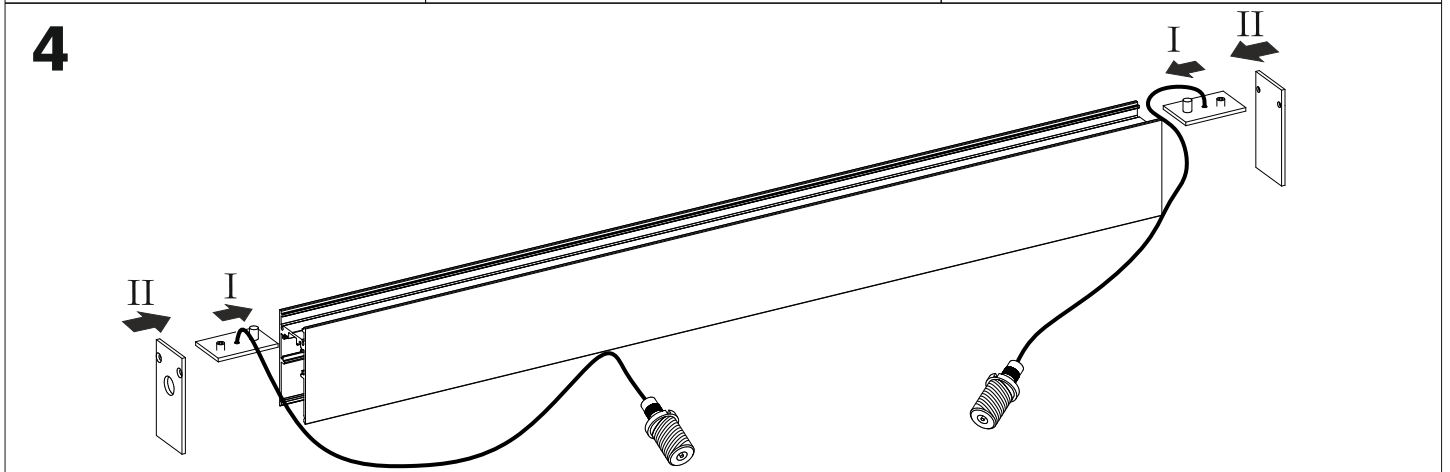
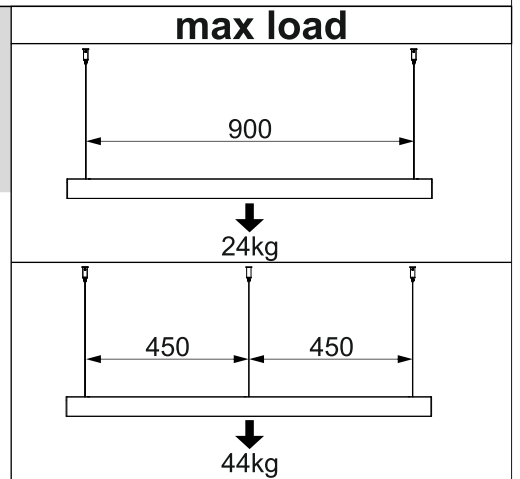
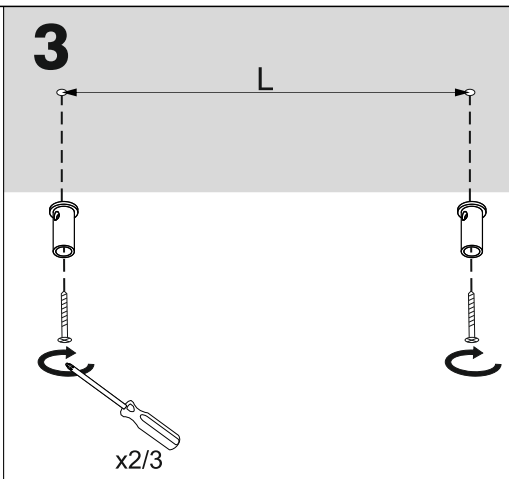
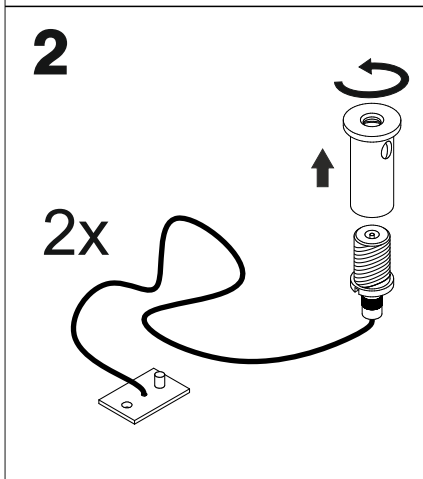
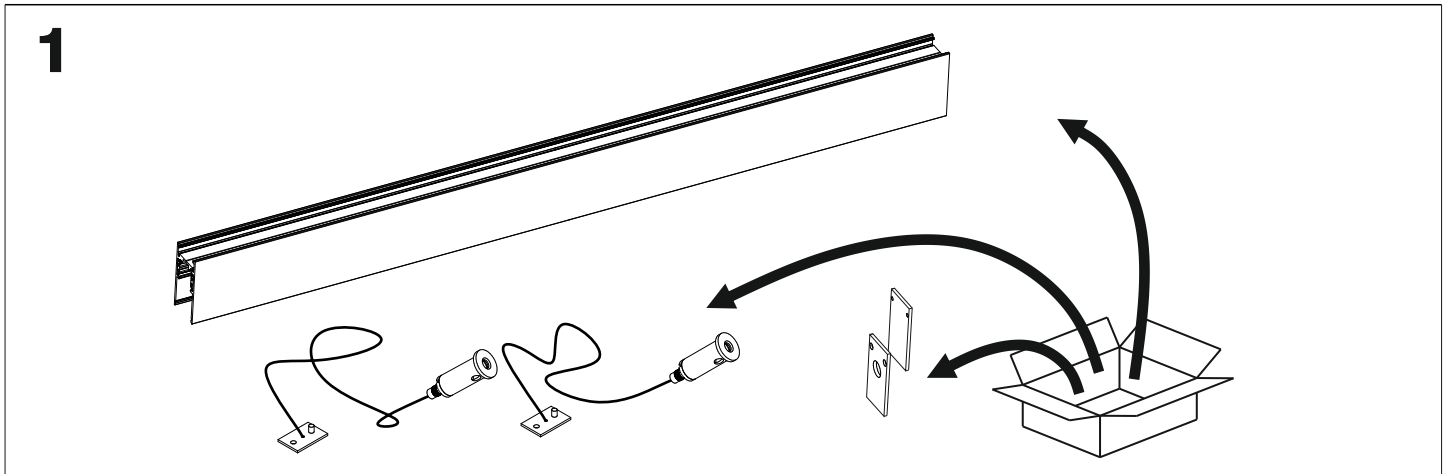
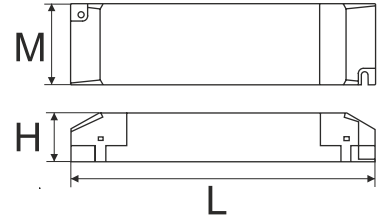
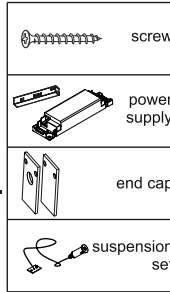


power supply dimensions

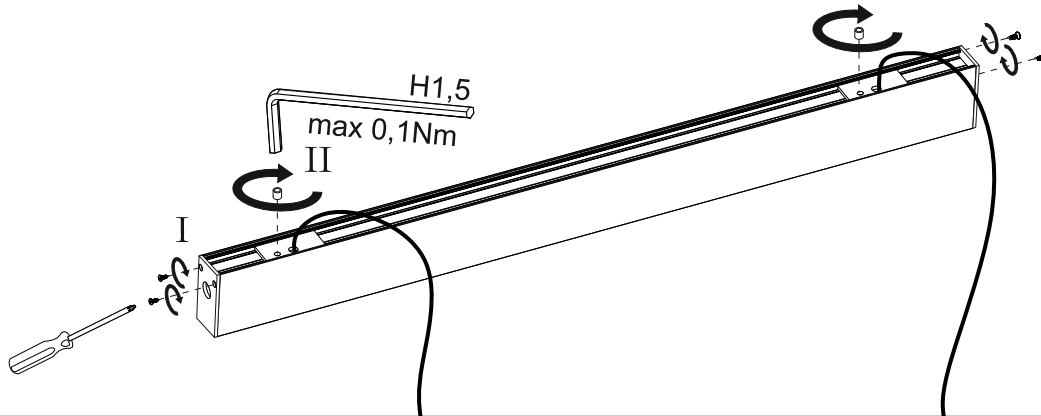
DRIVER	60W	100W	200W	PLUG-IN	
				100W	250W
L [mm]	163	300	390	305	275
M [mm]	43	30	30	16	22
H [mm]	32	17	23	19	44



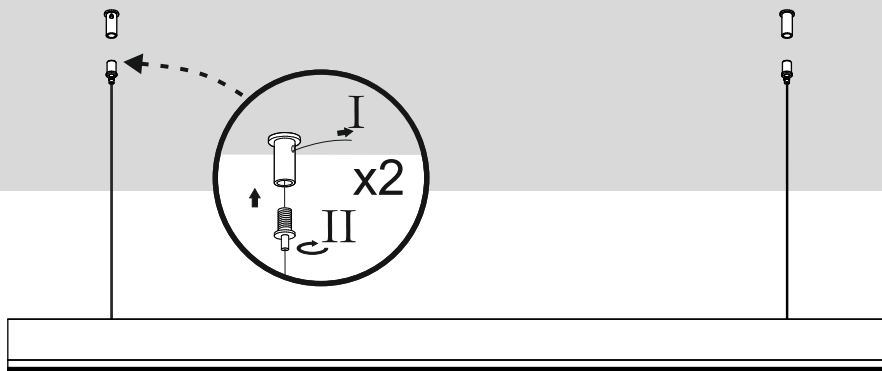
straight multitrack line requirement



5

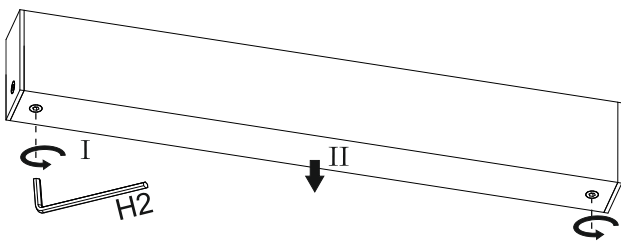


6

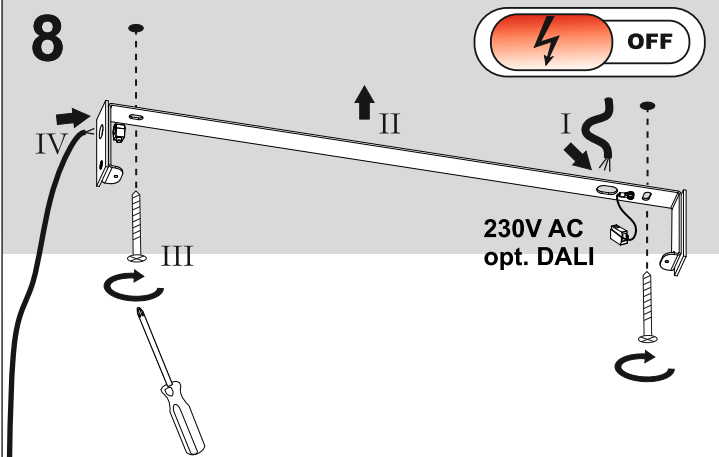


**POWER SUPPLY CANOPY**

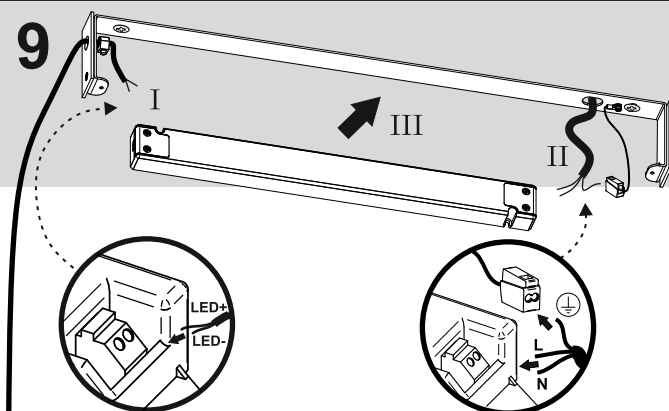
7



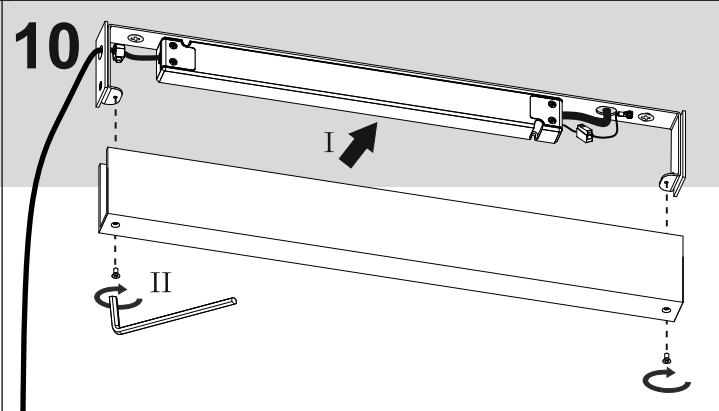
8

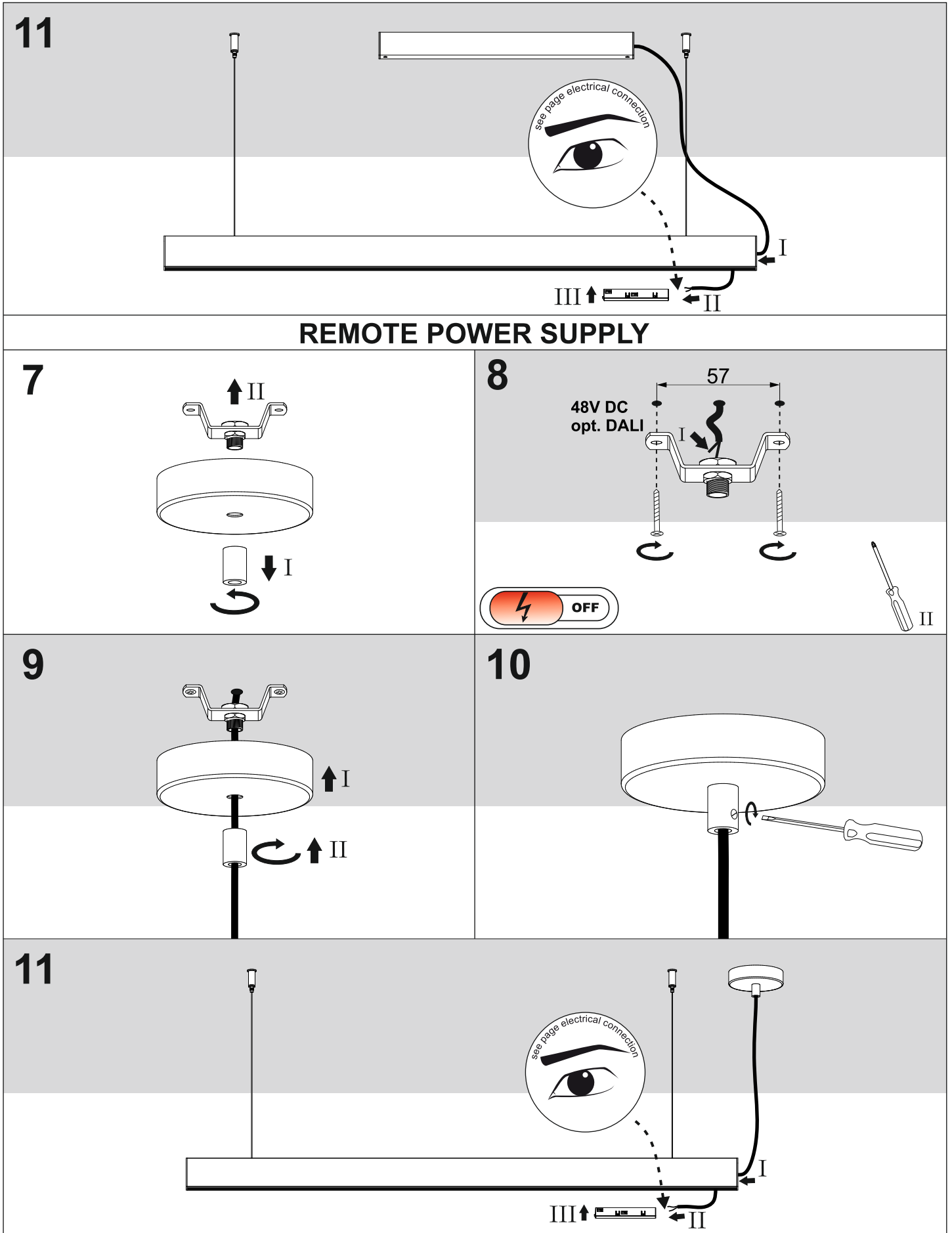


9

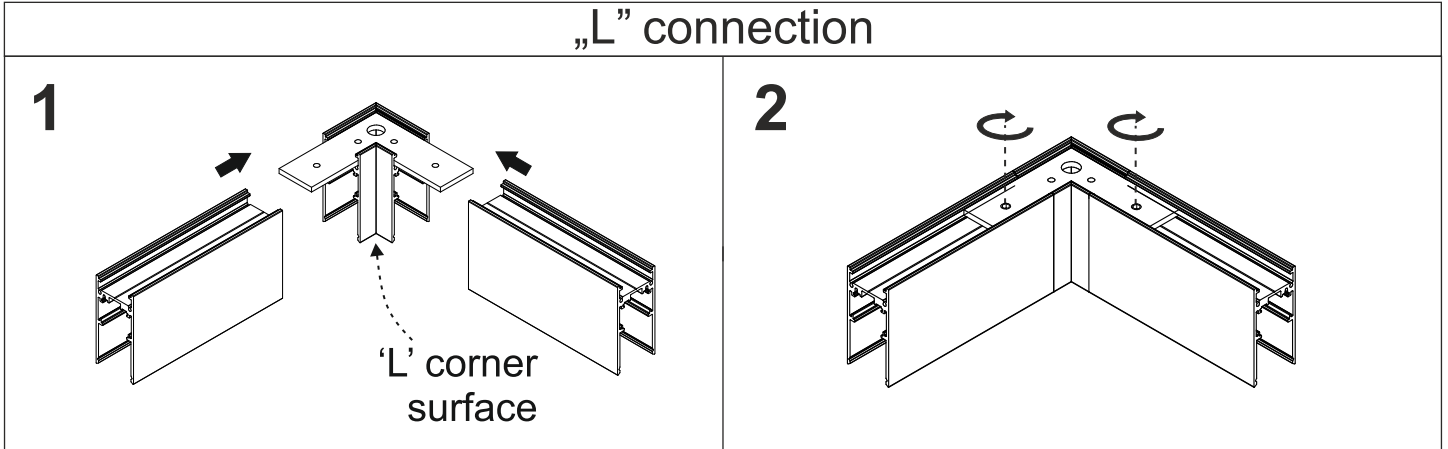


10

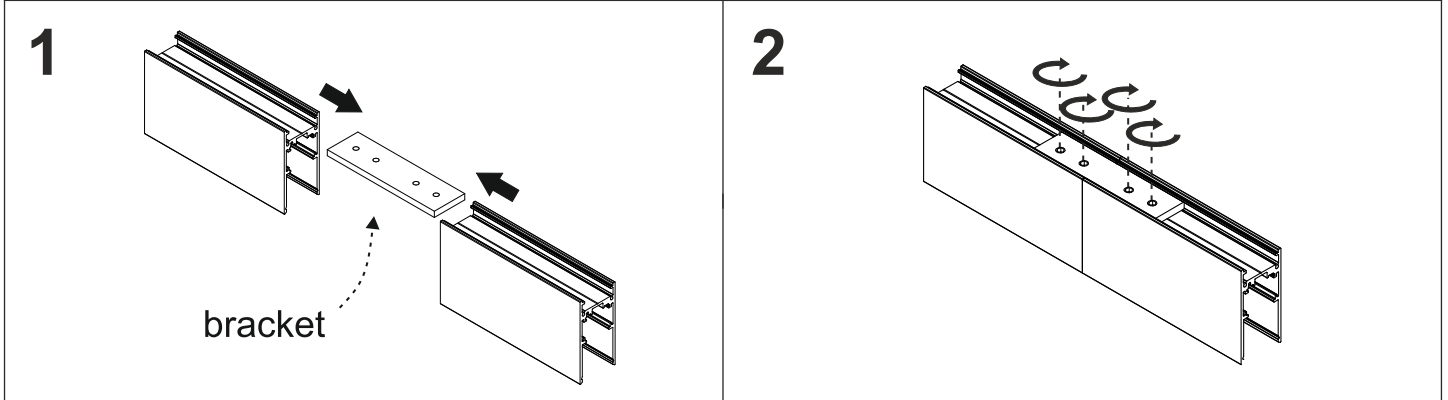




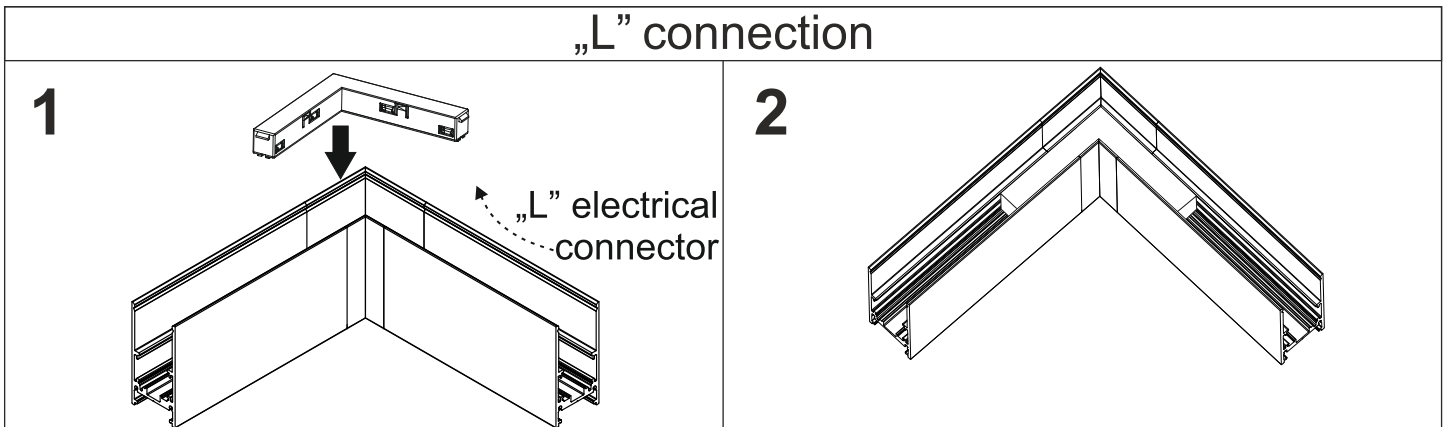
mechanical connection  
„L” connection



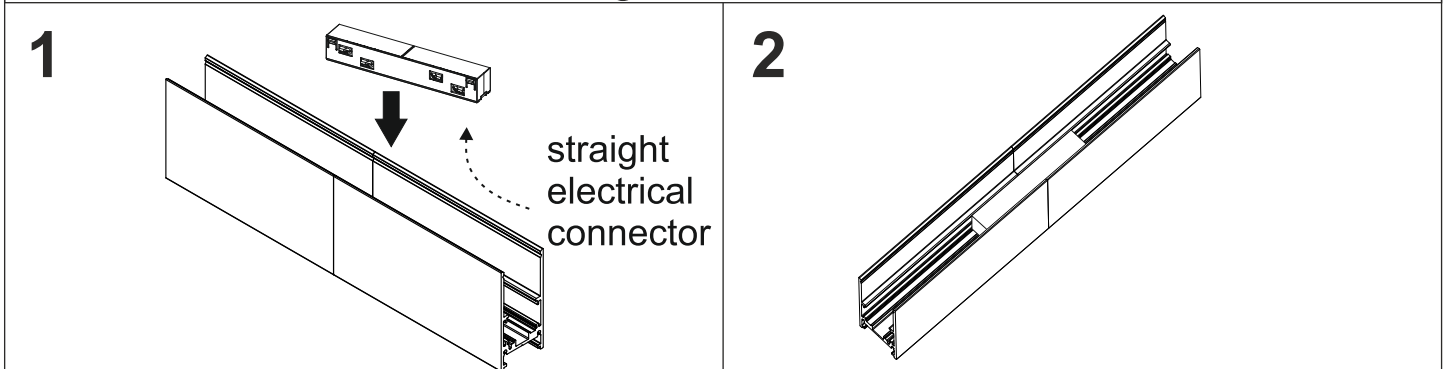
straight connection



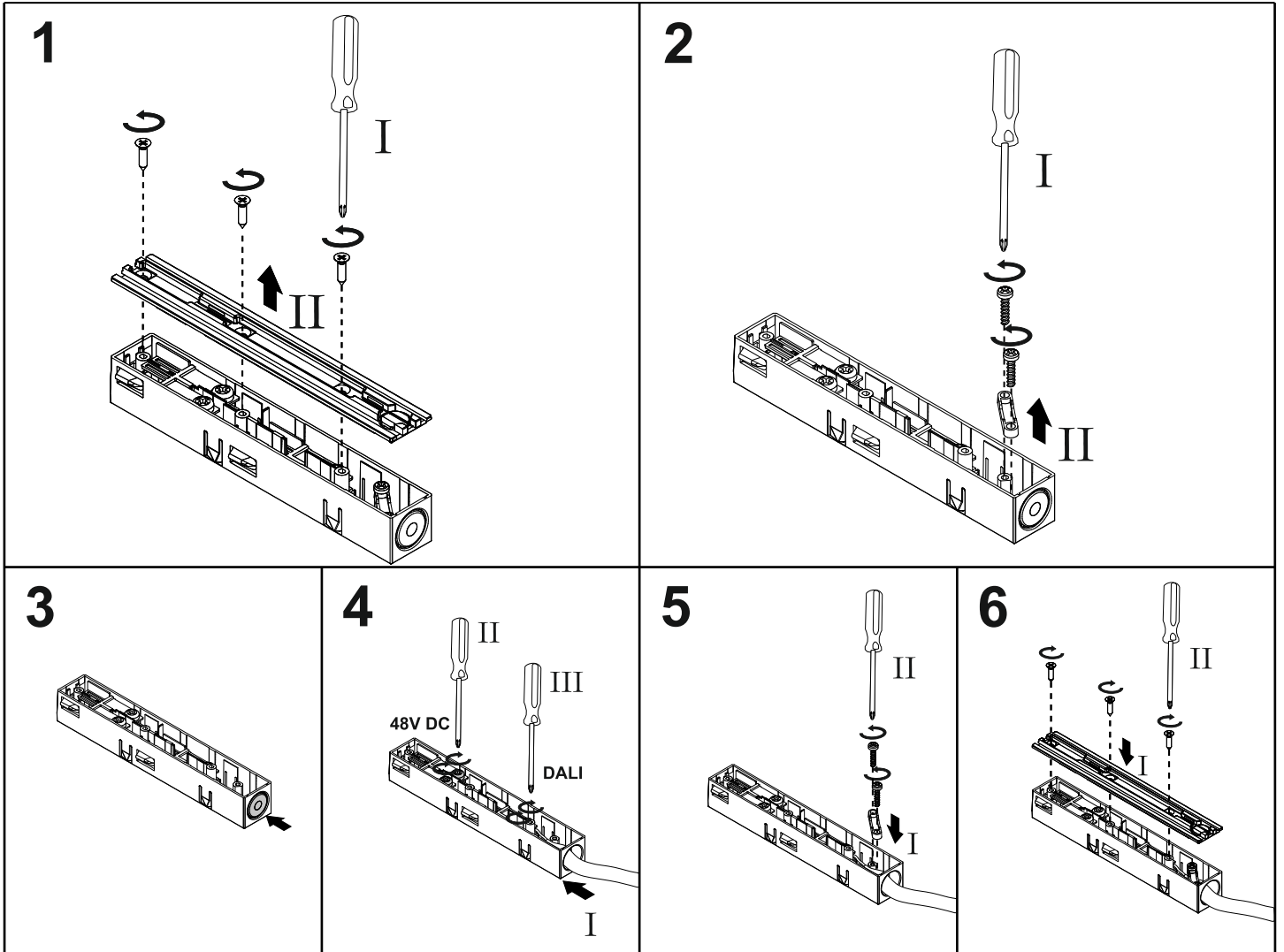
electrical connection



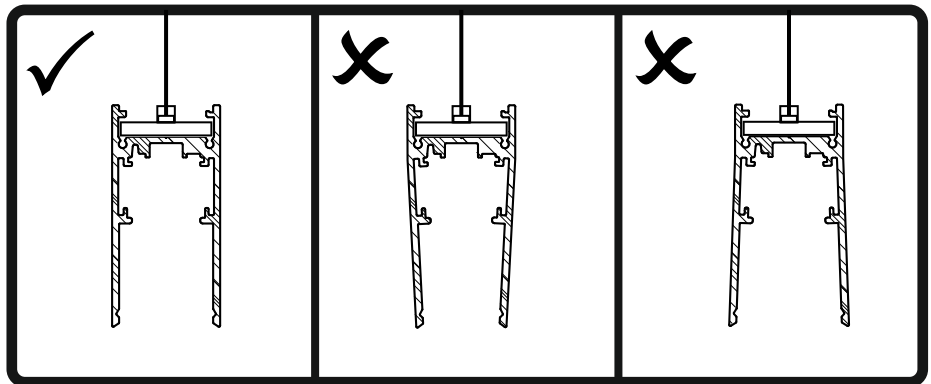
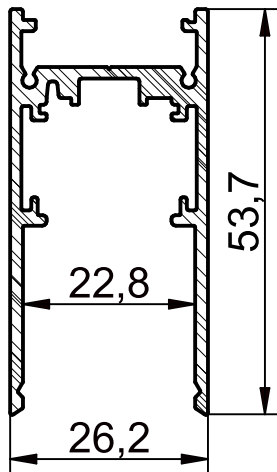
straight connection



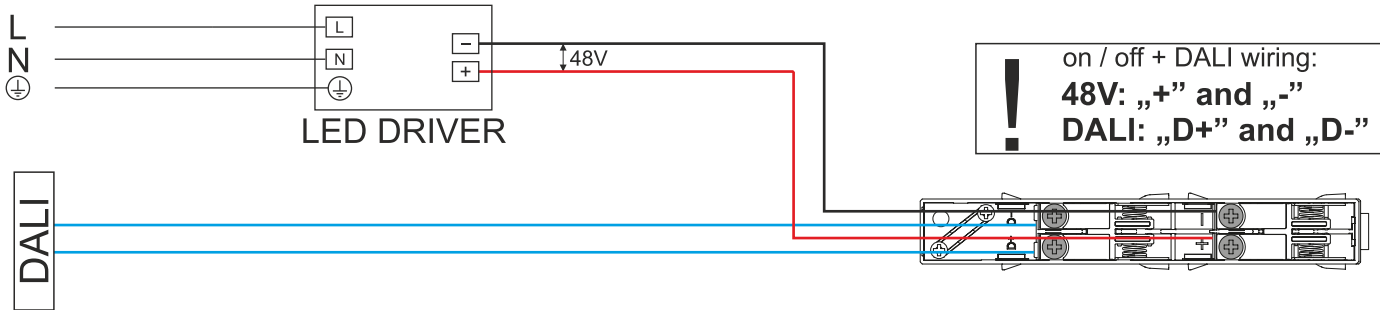
electrical connection



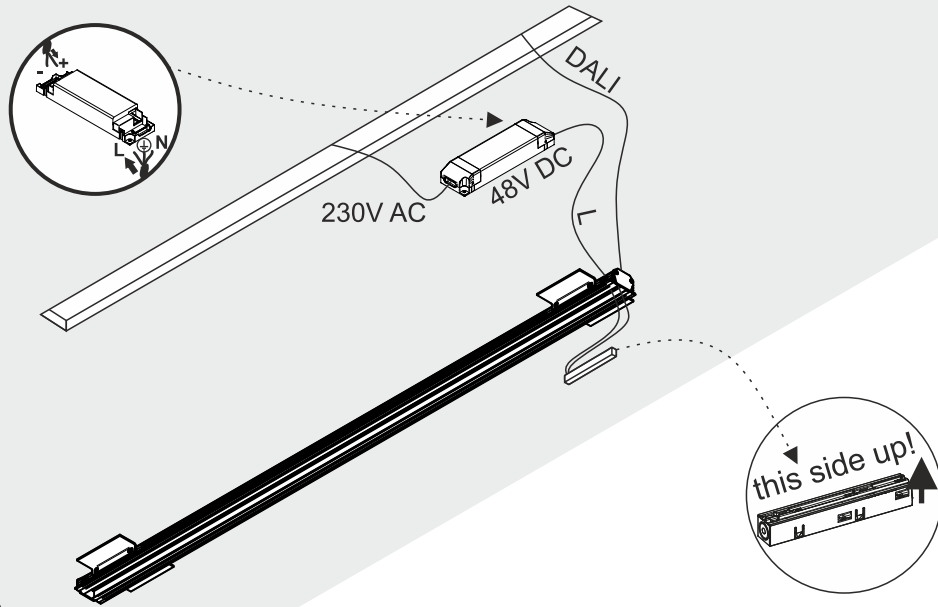
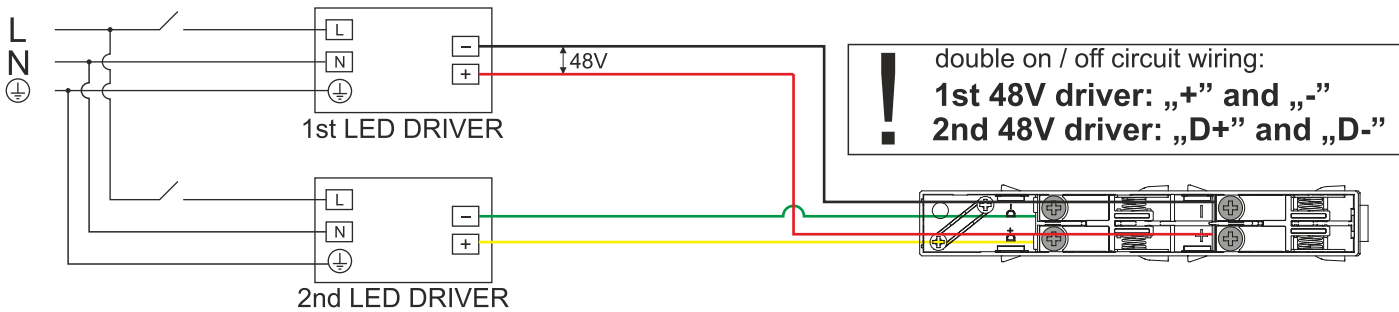
MULTITRACK high suspended - dimensions



**on / off (+ optional DALI)**



**Double circuit on / off**



**DALI example**

(for double on/off circuit connection  
replace DALI by 2nd 48V power line)

CV LED driver 48 V - max 150W					CV LED driver 48 V - max 70W				
distance (L)	5m	10m	20m	30m	distance (L)	5m	10m	20m	30m
cable diameter	1,5mm <sup>2</sup> / AWG15	2,5mm <sup>2</sup> / AWG13	4mm <sup>2</sup> / AWG11	4mm <sup>2</sup> / AWG11	cable diameter	0,75mm <sup>2</sup> / AWG18	1mm <sup>2</sup> / AWG17	1,5mm <sup>2</sup> / AWG15	2,5mm <sup>2</sup> / AWG13

