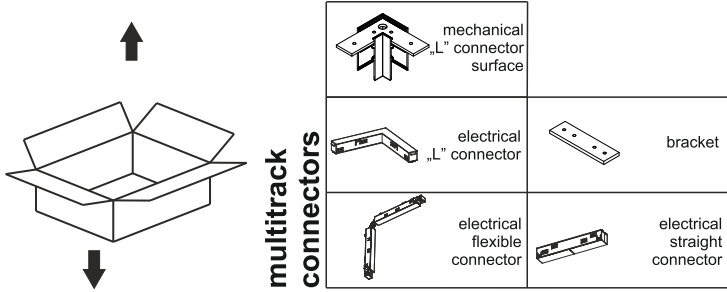


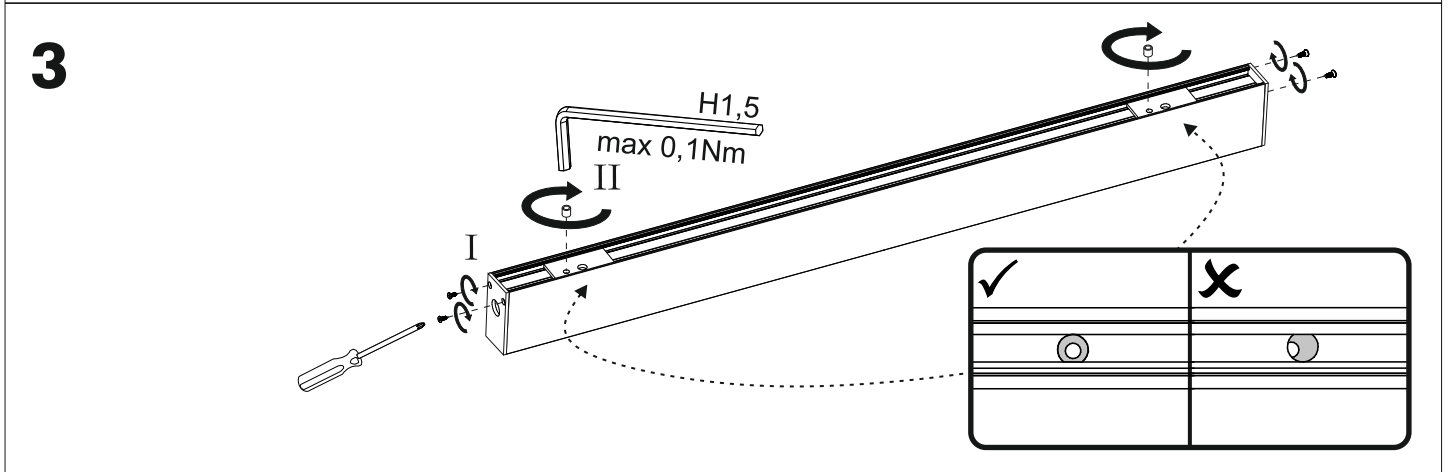
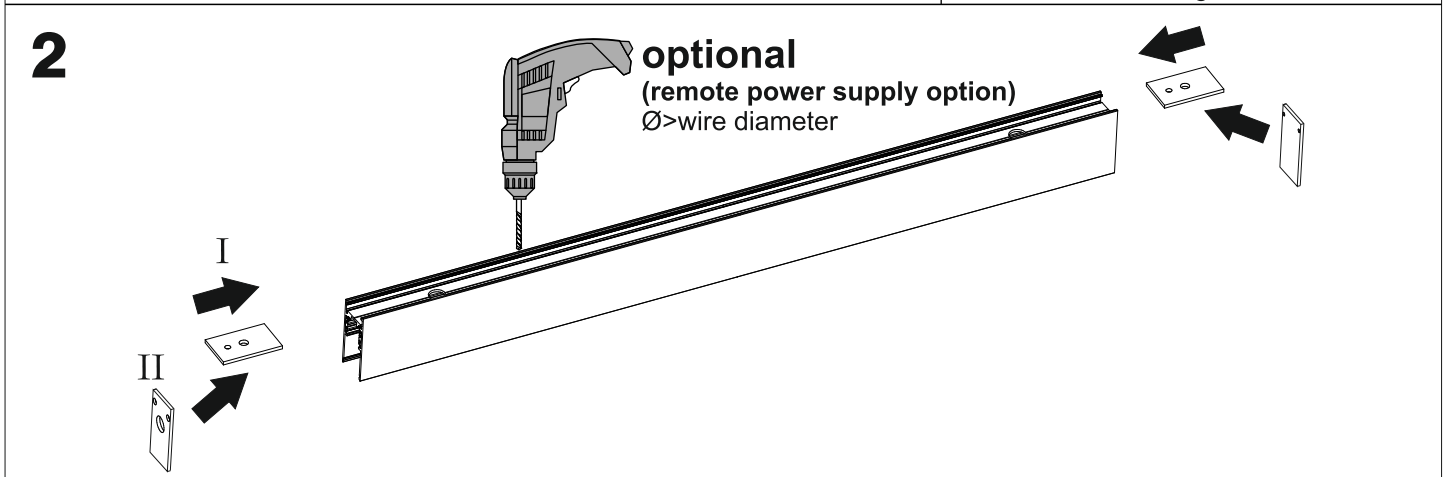
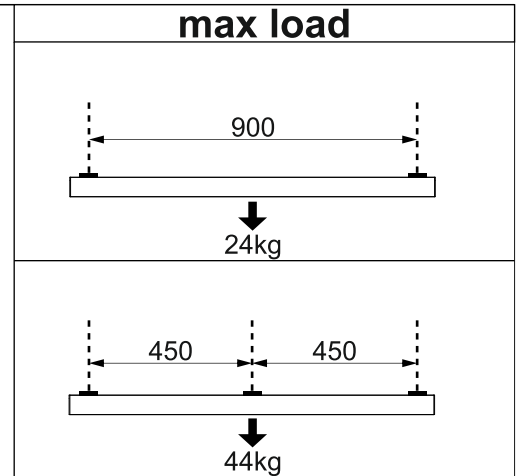
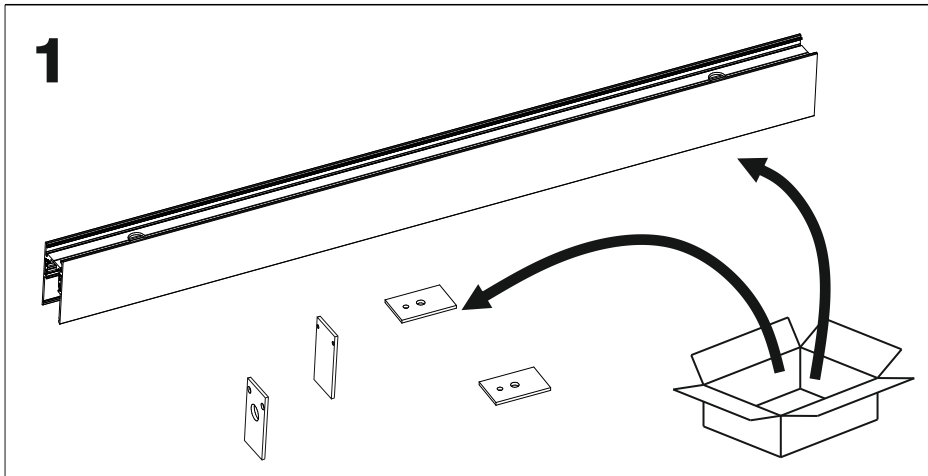
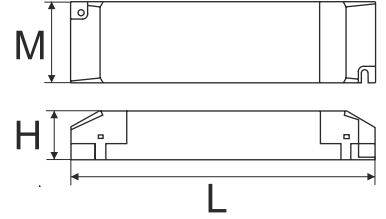
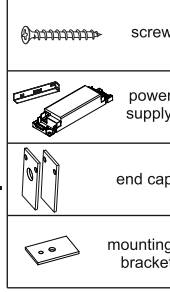


power supply dimensions

DRIVER	60W	100W	200W	PLUG-IN	
				100W	250W
L [mm]	163	300	390	305	275
M [mm]	43	30	30	16	22
H [mm]	32	17	23	19	44

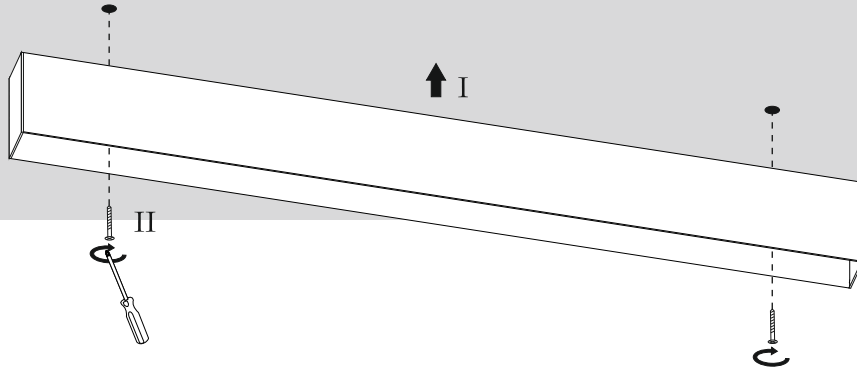


straight multitrack line requirement

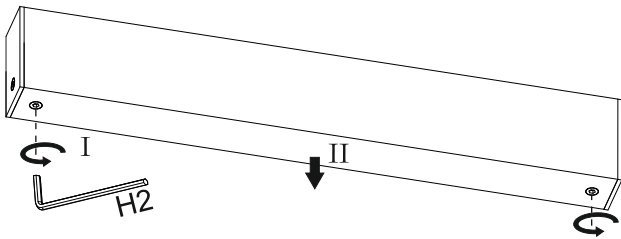


POWER SUPPLY CANOPY

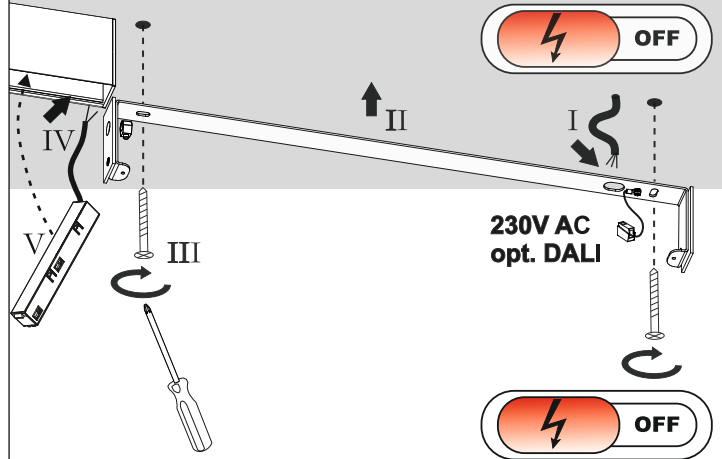
4



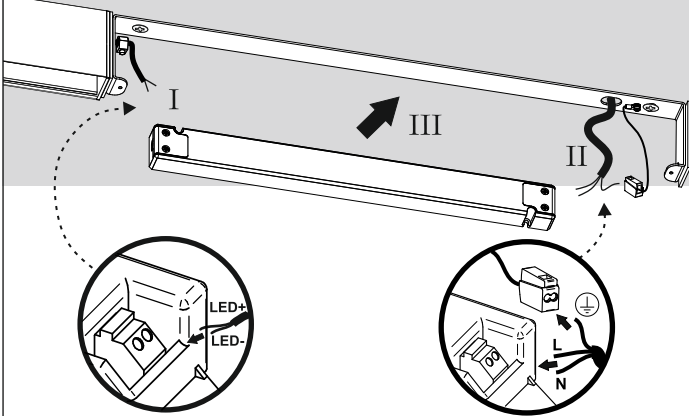
5



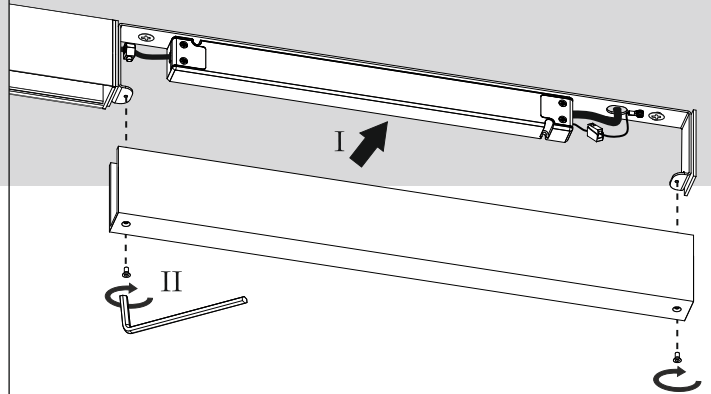
6



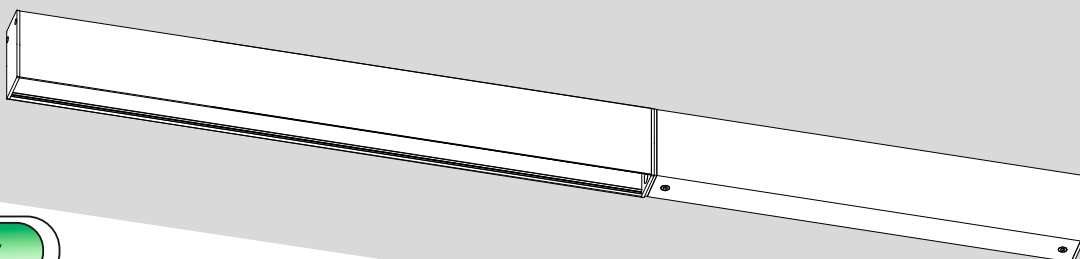
7



8



9

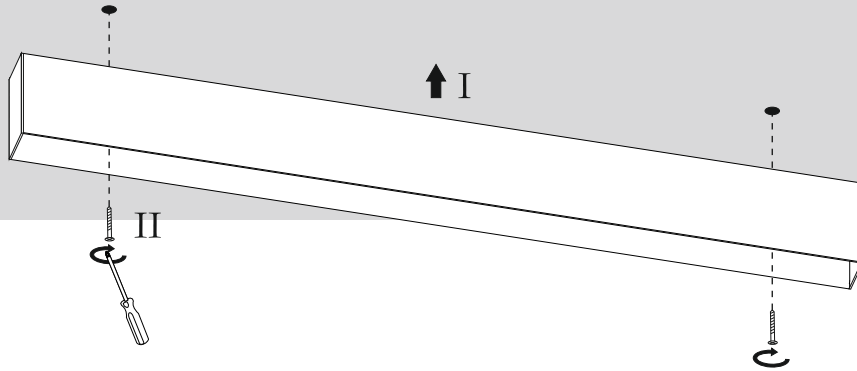


ON

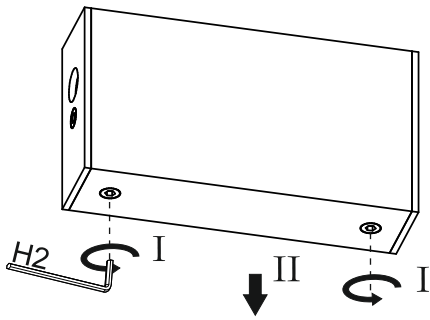


PLUG-IN POWER SUPPLY

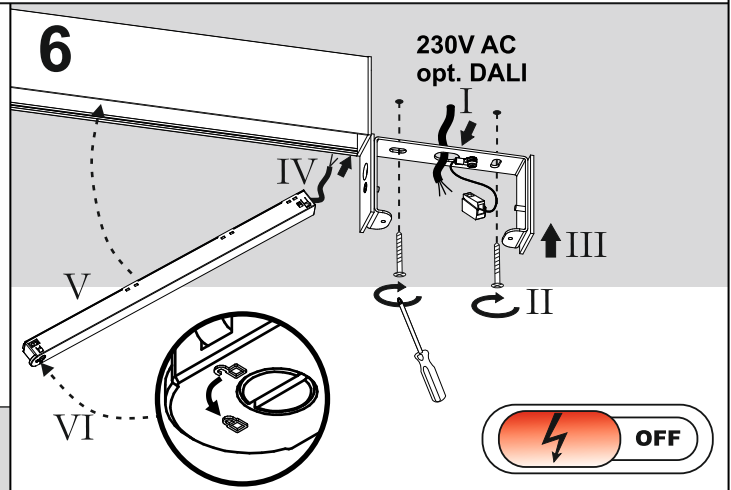
4



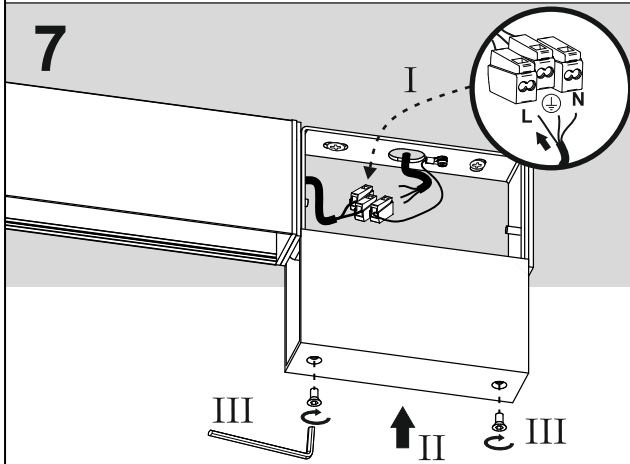
5



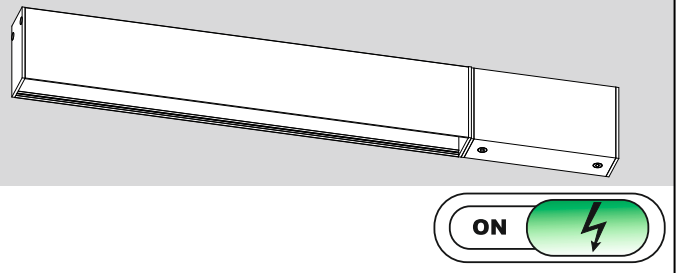
6



7

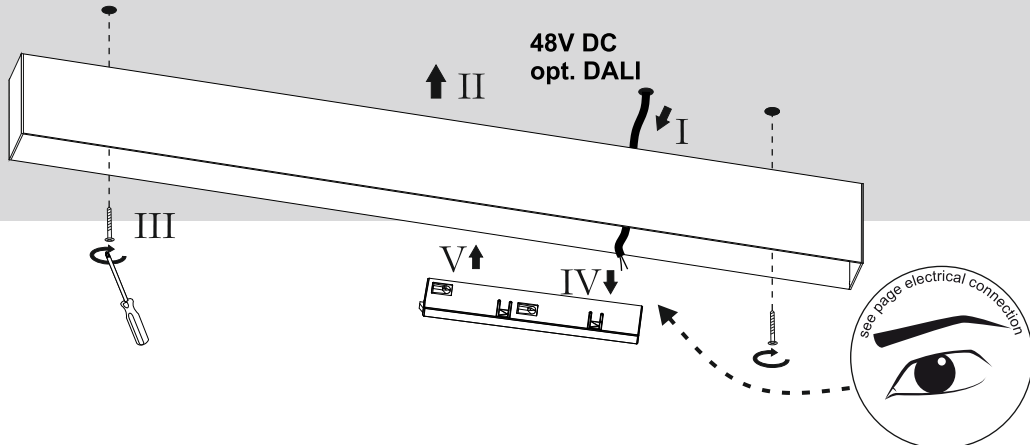


8

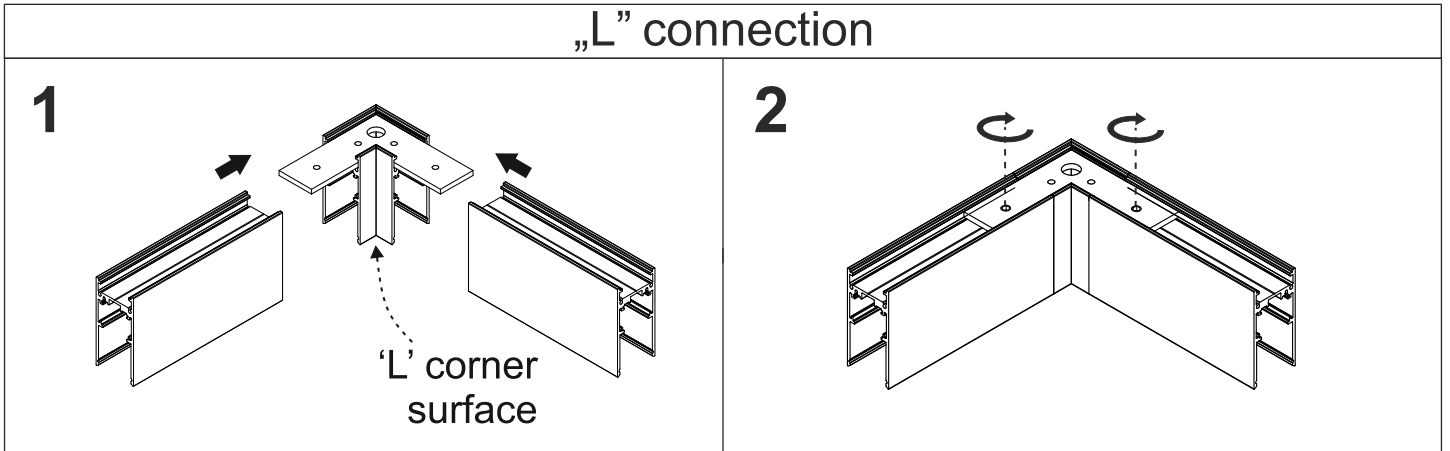


REMOTE POWER SUPPLY

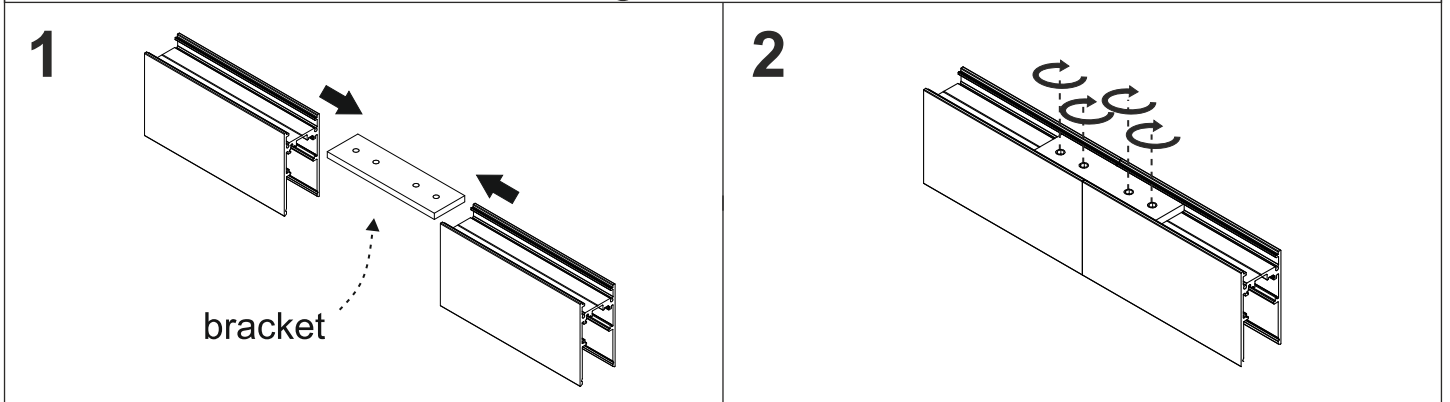
4



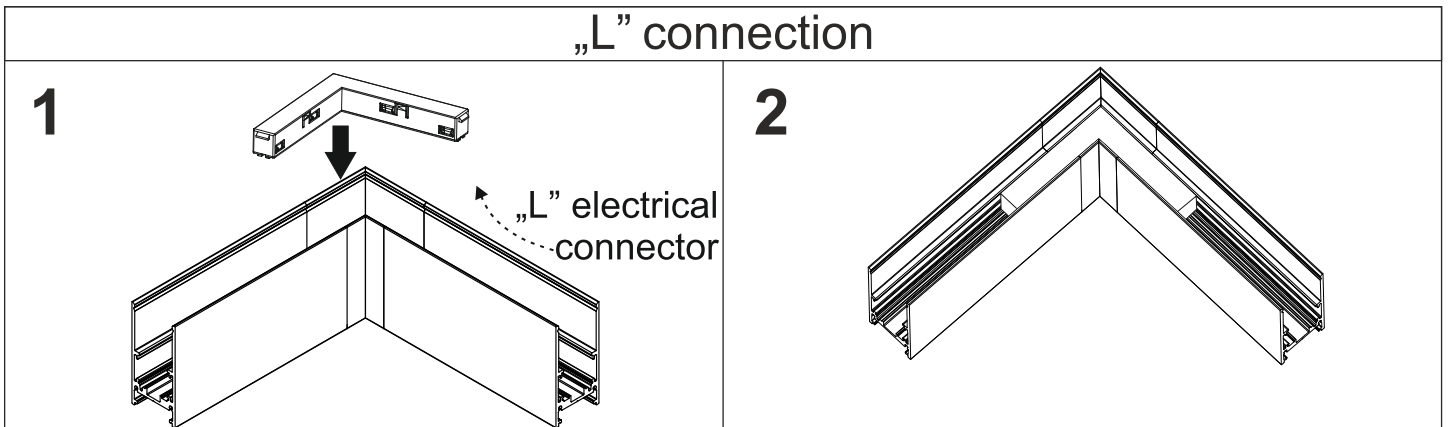
mechanical connection
„L” connection



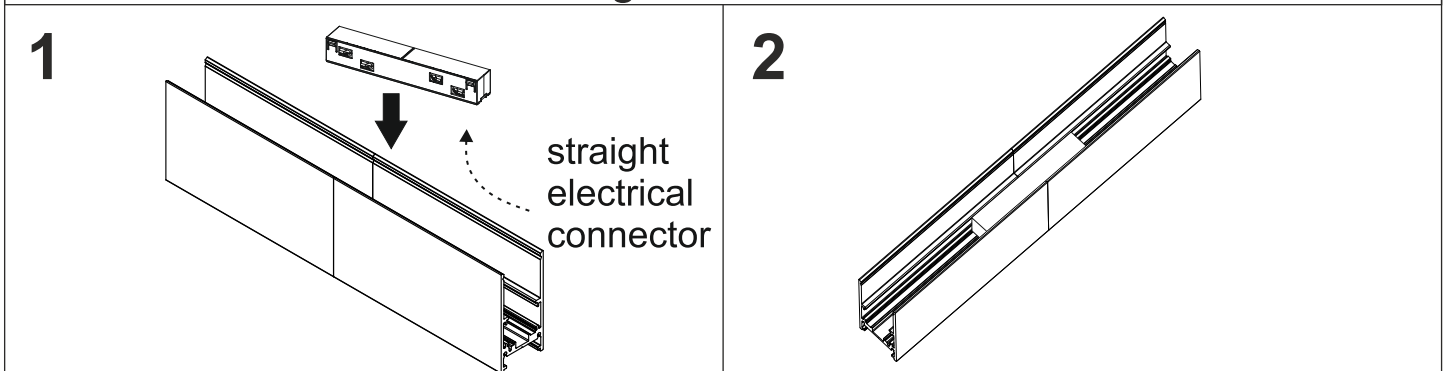
straight connection



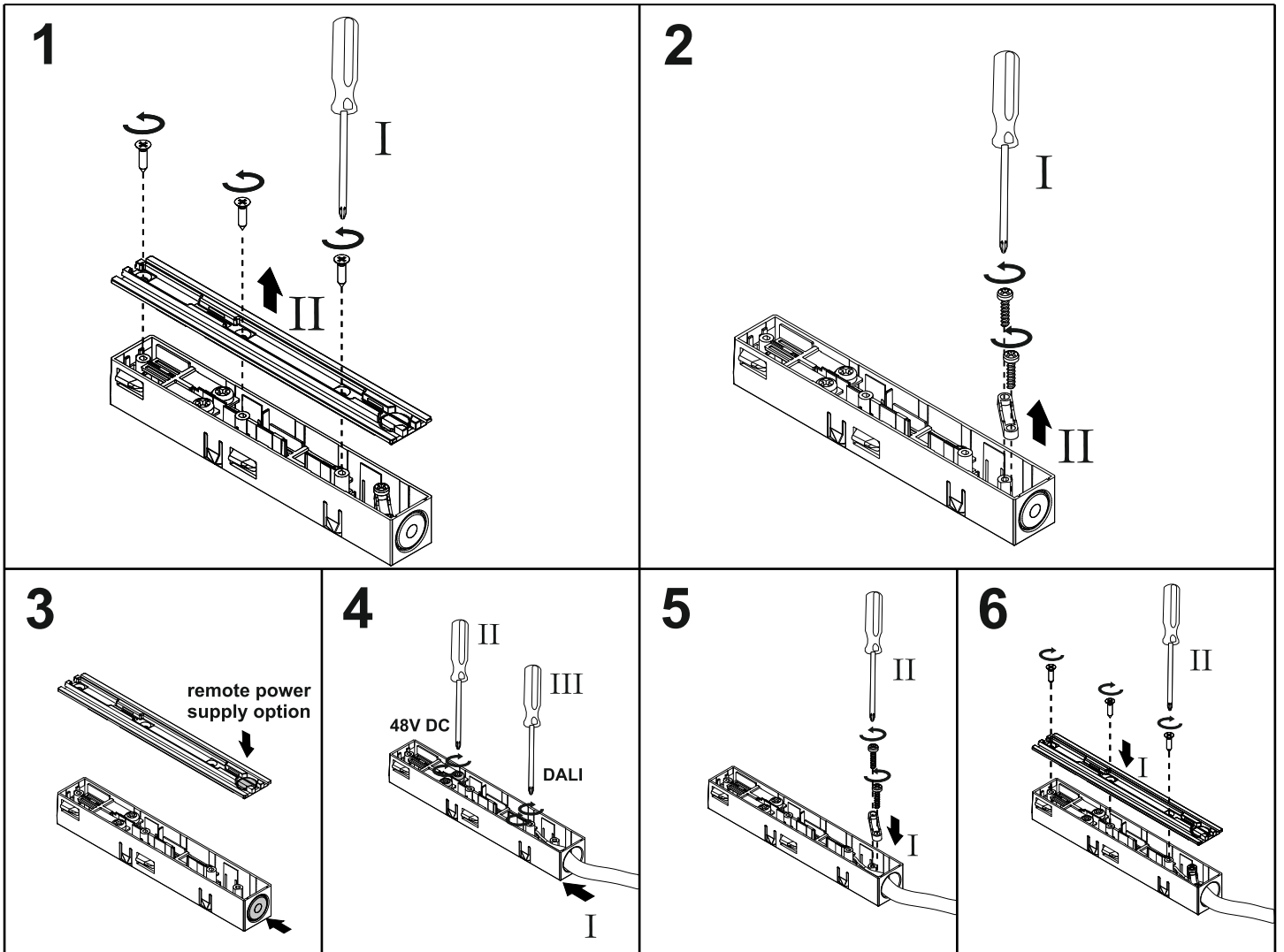
electrical connection



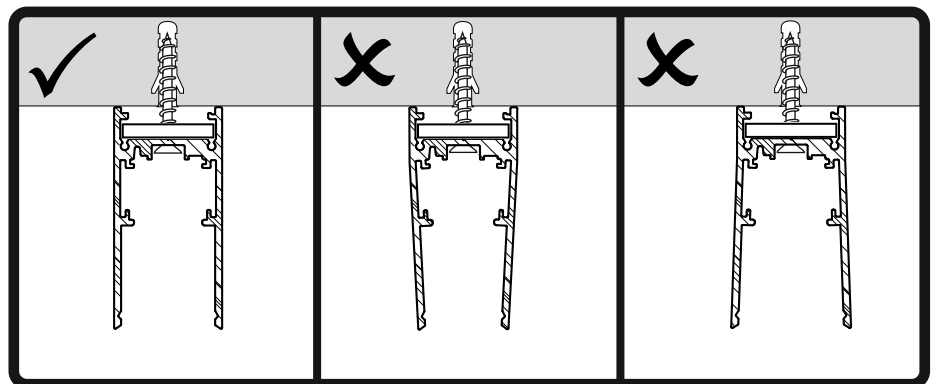
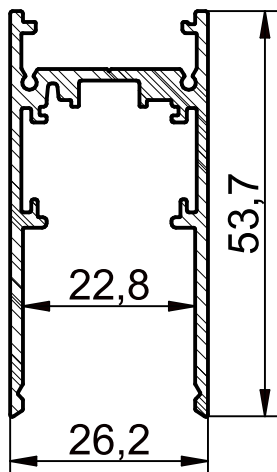
straight connection



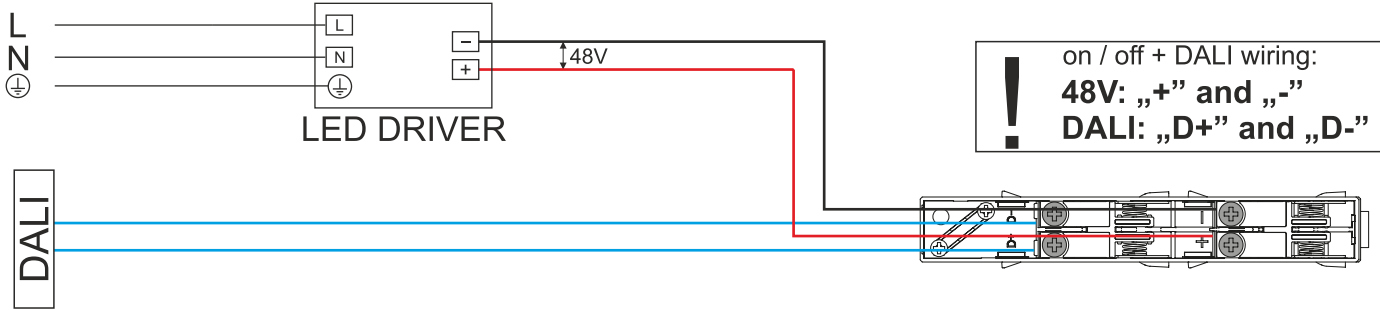
electrical connection



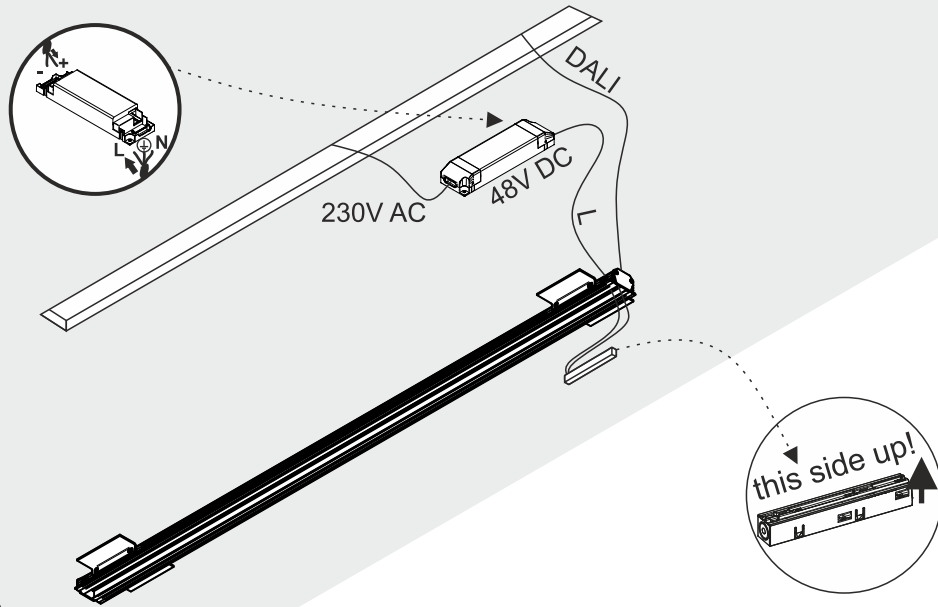
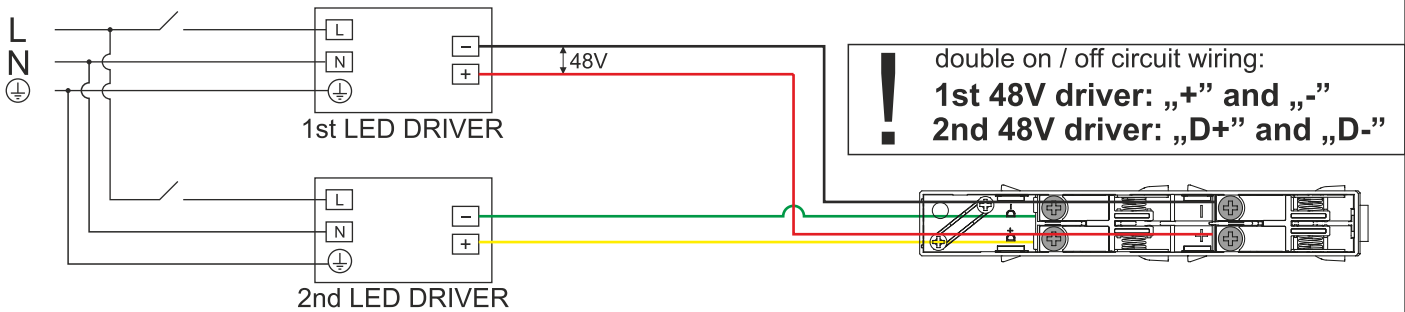
MULTITRACK high surface - dimensions



on / off (+ optional DALI)



Double circuit on / off



DALI example

(for double on/off circuit connection
replace DALI by 2nd 48V power line)

CV LED driver 48 V - max 150W					CV LED driver 48 V - max 70W				
distance (L)	5m	10m	20m	30m	distance (L)	5m	10m	20m	30m
cable diameter	1,5mm ² / AWG15	2,5mm ² / AWG13	4mm ² / AWG11	4mm ² / AWG11	cable diameter	0,75mm ² / AWG18	1mm ² / AWG17	1,5mm ² / AWG15	2,5mm ² / AWG13

