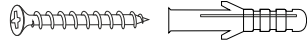
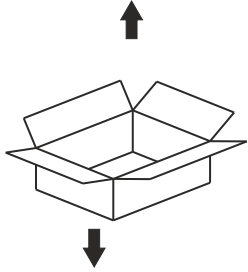


REQUIRED

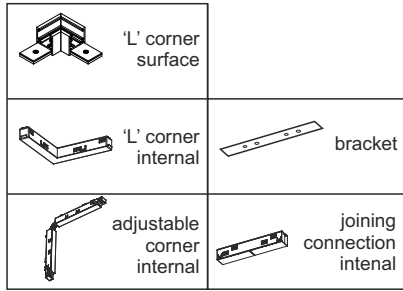


power supply dimensions

DRIVER	60W	100W	200W
L [mm]	163	300	390
M [mm]	43	30	30
H [mm]	32	17	23



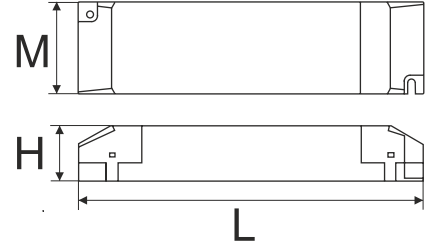
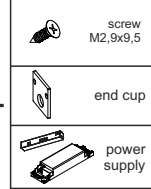
multitrack
connectors



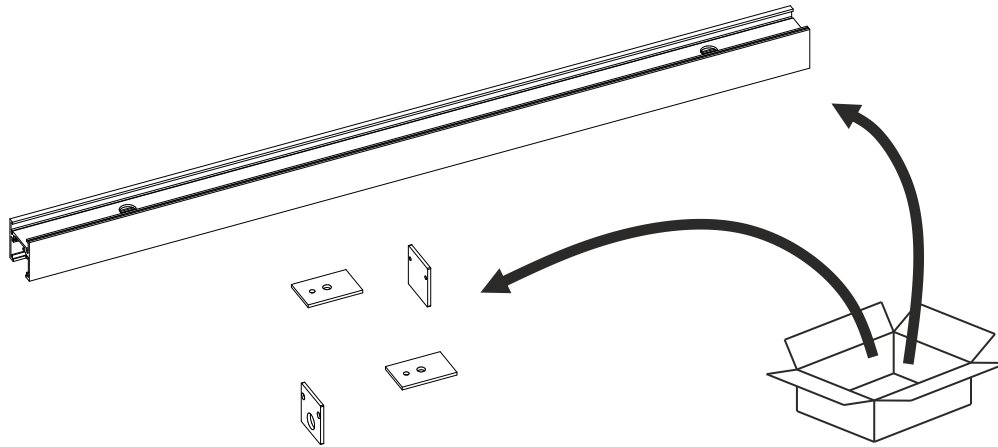
bracket

joining
connection
internal

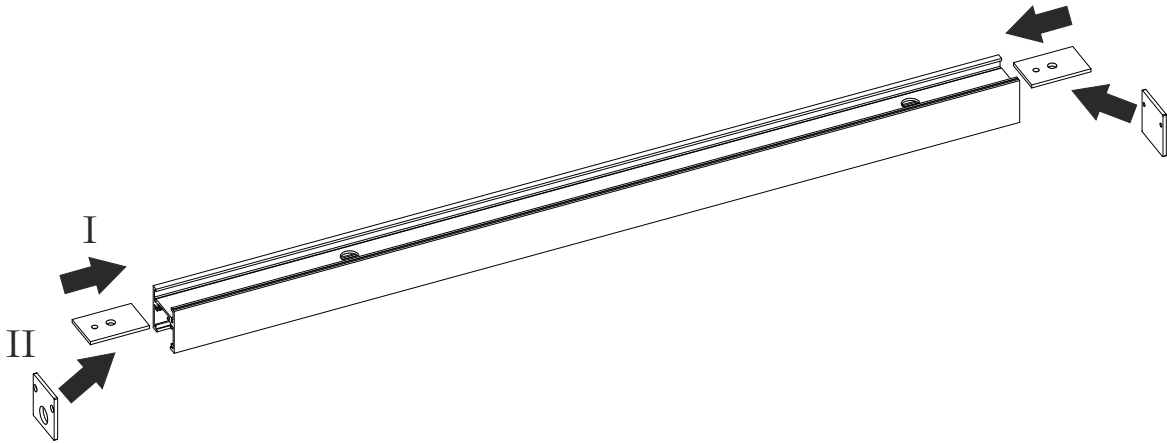
straight multitrack
line requirement



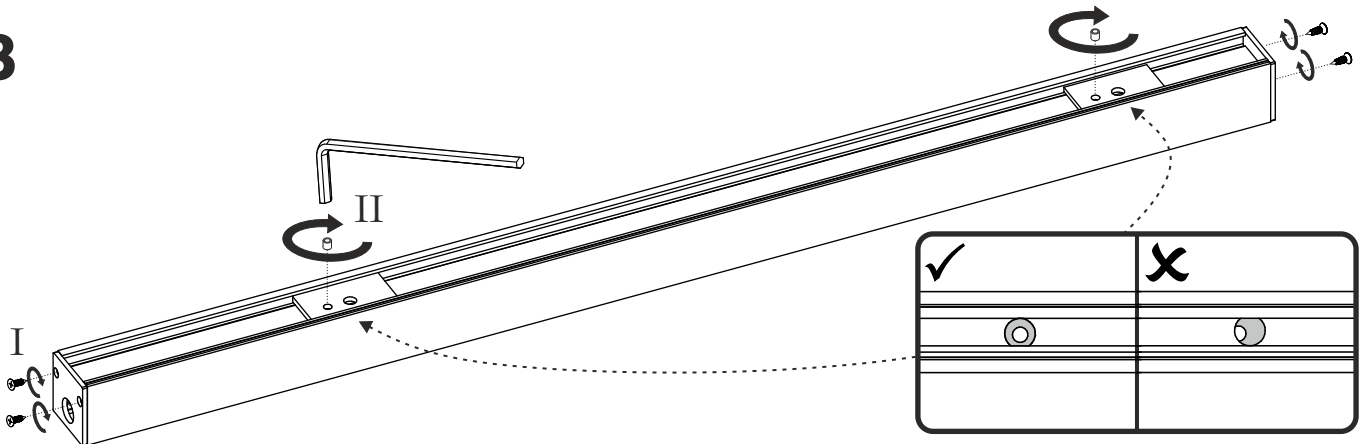
1

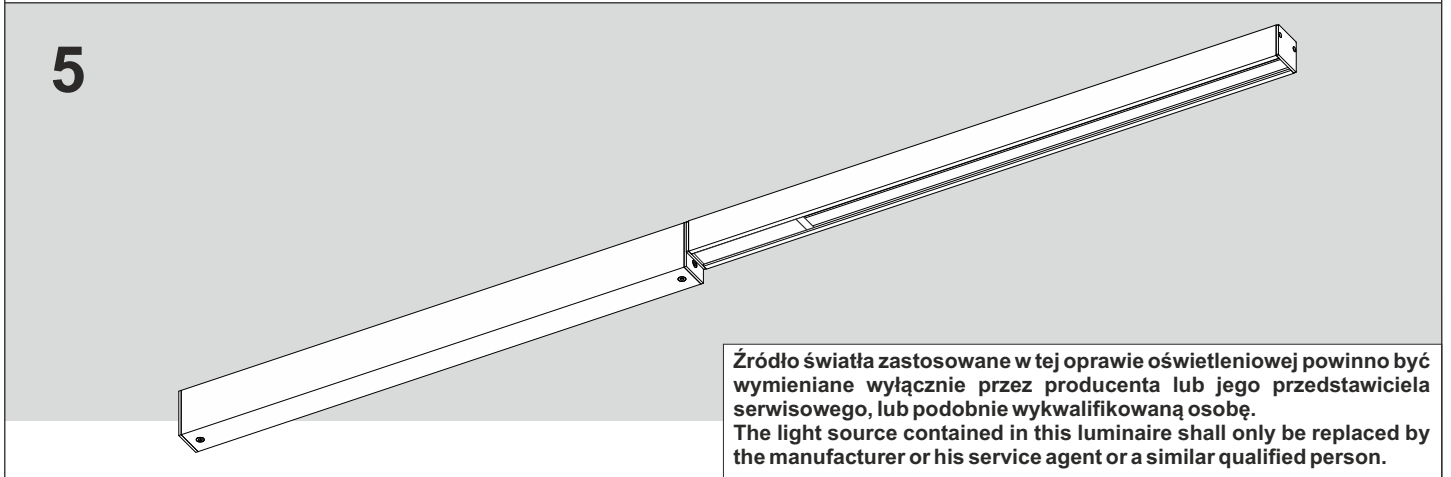
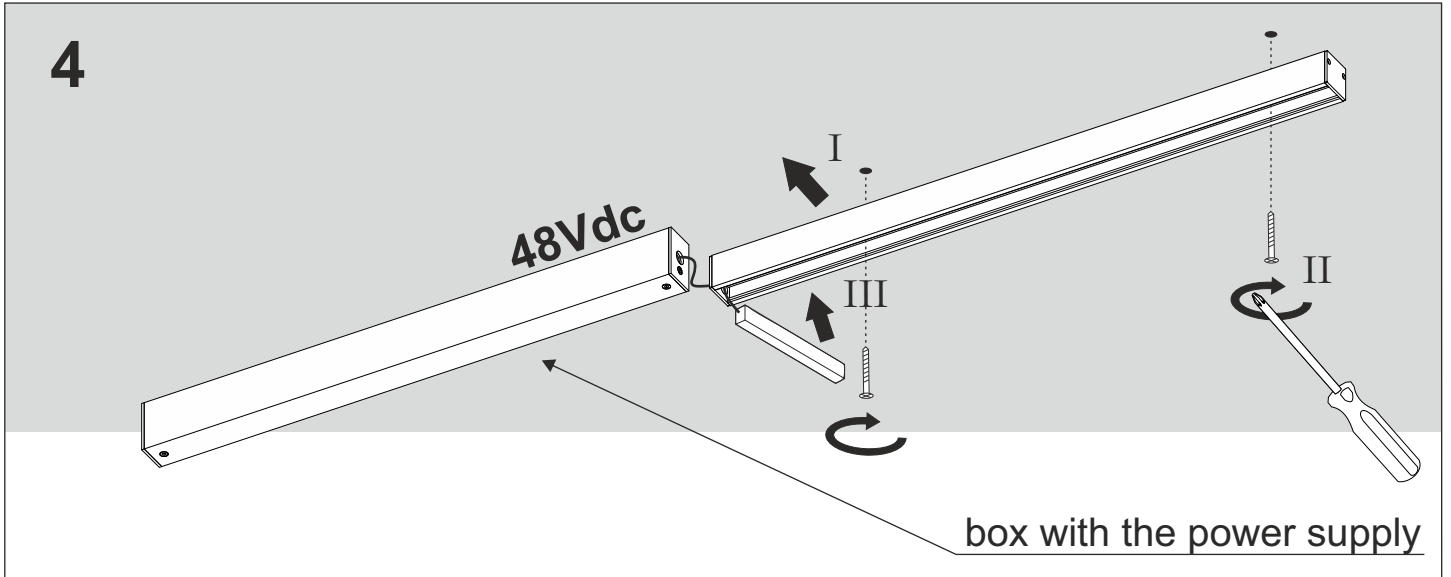


2



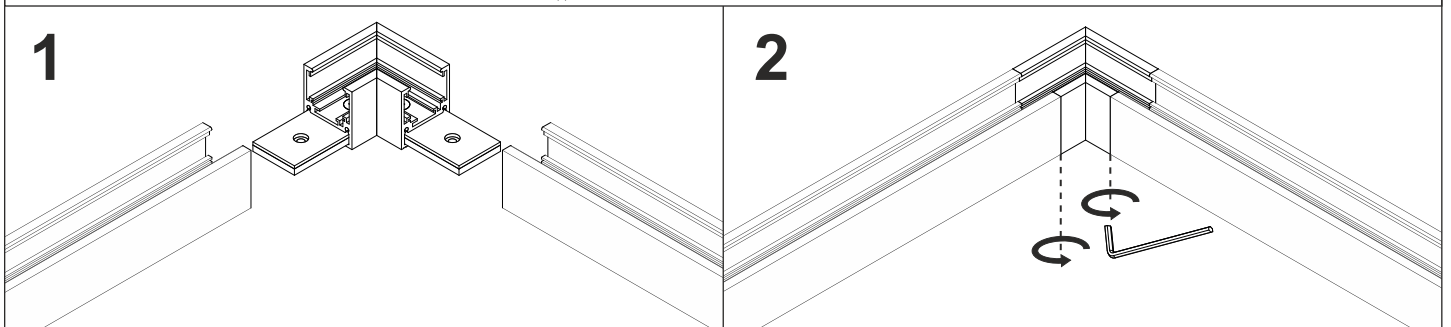
3





mechanical connection

„L” - connection



straight - connection

